



CHERNE INTERNATIONAL

GLOBAL LEADER IN PIPE PLUGS & TESTING



**ENGINEERED SOLUTIONS WHERE
EXCELLENCE, QUALITY AND SAFETY CONVERGE**



CHERNE TABLE OF CONTENTS



PNEUMATIC PLUGS

BLOCKING PLUGS

- 5 PLUMBING TEST-BALL® PLUGS
- 6 LONG TEST-BALL® • MS2® TEST-BALL® PLUGS
- 9 TEST-BALL® PLUGS – UNDERGROUND
- 10 i2-SERIES BLOCKING PLUGS
- 12 PILLOW-STYLE TEST-BALL® PLUGS

FLOW-THROUGH PLUGS

- 13 FLOW-THROUGH PLUGS
- 15 i2-SERIES FLOW-THROUGH PLUGS
- 17 BIG MOUTH® FLOW-THROUGH PLUGS

TEST PLUGS

- 20 i2-SERIES TEST PLUGS
- 22 HIGH PRESSURE PLUGS

MECHANICAL PLUGS

- 23 MECHANICAL CLEANOUT PLUGS
- 24 ORIGINAL GRIPPER®
- 25 HUB-FIT GRIPPER® • CLEAN-OUT GRIPPER®
- 25 T-HANDLE GRIPPER®
- 27 IRON GRIP
- 28 ECON-O-GRIP® • PETRO ECON-O-GRIP®
- 29 SURE-GRIP® • KWIK 'N SURE®
- 30 MONITOR-WELL PLUGS
- 31 TEST-KAP™

DEFLECTION GAUGES

- 34 FIXED STEEL DEFLECTION GAUGES
- 36 ALUMINUM DEFLECTION GAUGE KITS
- 37 ALUMINUM DEFLECTION GAUGE FIN SETS
- 39 CORE MANDRELS • PROVING RINGS

TESTING EQUIPMENT

- 42 AIR-LOC® PRESSURE TESTING
- 44 AIR-LOC® TESTING PANEL
- 45 AIR-LOC® PRESSURE TESTING HOSES
- 46 MANHOLE JACK • ROLLER • WINCH • HOOKS
- 47 AIR-LOC® PRESSURE TESTING PROCEDURE
- 48 AIR-LOC® MANHOLE TESTERS
- 49 AIR-LOC® VACUUM EQUIPMENT
- 50 AIR-LOC® STRINGER • VENTILATORS
- 51 AIR-LOC® SMOKE TESTING
- 52 AIR-LOC® JOINT TESTERS
- 53 AQUA-LOC® HYDROSTATIC TEST PUMPS

TOOLS & ACCESSORIES

- 58 TEST PUMPS • MANOMETER • CLOG-BUSTER
- 59 POINT REPAIR CARRIER
- 60 JET-BALL™

TECHNICAL DATA

- 64 CONVERSION CHARTS • TESTING METHODS

PNEUMATIC PLUGS

PNEUMATIC PLUGS

BLOCKING PLUGS

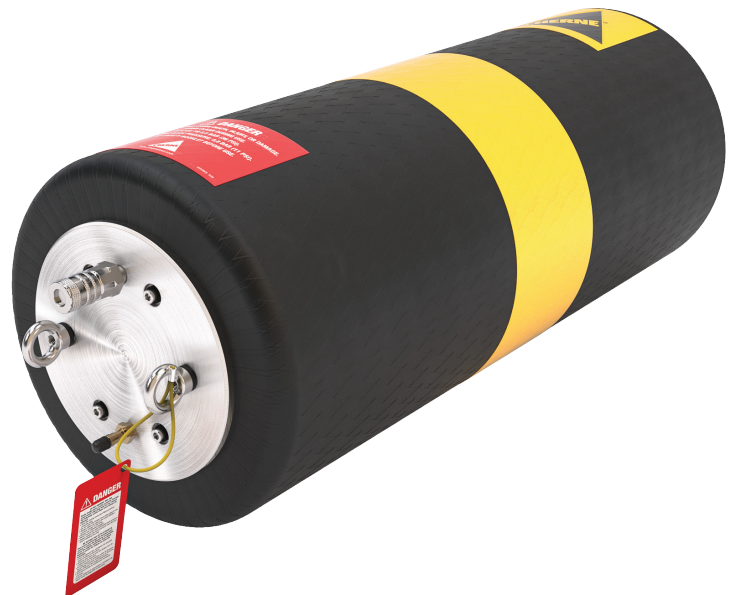
- 5 PLUMBING TEST-BALL® PLUGS
- 6 LONG TEST-BALL® • MS2® TEST-BALL® PLUGS
- 9 TEST-BALL® PLUGS – UNDERGROUND
- 10 i2-SERIES BLOCKING PLUGS
- 12 PILLOW-SHAPED TEST-BALL® PLUGS

FLOW-THROUGH PLUGS

- 13 FLOW-THROUGH PLUGS
- 15 i2-SERIES FLOW-THROUGH PLUGS
- 17 BIG MOUTH® FLOW-THROUGH PLUGS

TEST PLUGS

- 20 i2-SERIES TEST PLUGS
- 22 HIGH PRESSURE PLUGS





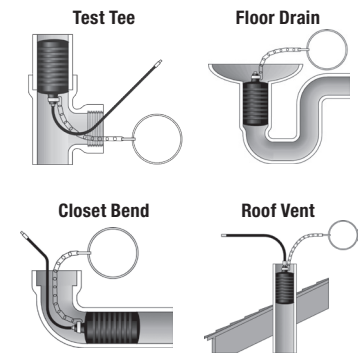
BLOCKING PLUGS

Cherne Plumbing Test Ball® Plugs were first introduced in 1953 as a more versatile product than traditional mechanical plugs. Designed to test drain, vent and waste systems Cherne Test Ball® Plugs could be used in any type of pipe, could be inserted through a test tee, and sealed out of round pipe as well.

Cherne introduced the multi-size yellow-top Test Ball® plugs in 2002. These test ball plugs have the same great features found in the original test ball plugs, but can be used in more than one pipe size.

Features:

- Natural Rubber: Great sealing properties as well as excellent expansion and memory
- Schrader Valve Inflator: Includes cap with valve core tightener
- Ring and Chain Assembly: Prevents plug from dropping into DWV system during test



ORIGINAL TEST-BALLS



PART NUMBER	NOMINAL SIZE	USAGE RANGE	MAXIMUM BACK PRESSURE	INFLATION PRESSURE	PRODUCT WEIGHT	DEFLATED LENGTH	DEFLATED DIAMETER	
270008	20-30 mm (.75"-1.25")	20-33 mm (.75"-1.30")	1,2 bar (17 psi)	12 M (40 ft.)	4,5 bar (65 psi)	0.1 kg (3.5 oz)	95 mm (3.75")	18.5 mm (0.73")
270016	35-40 mm (1.25"-1.5")	30-44 mm (1.17"-1.75")	0,9 bar (13 psi)	9.1 M (30 ft.)	2,8 bar (40 psi)	0.1 kg (3.5 oz)	141 mm (5.5")	31 mm (1.1")
270024	50 mm (2")	48-57 mm (1.9"-2.25")	0,9 bar (13 psi)	9.1 M (30 ft.)	2,8 bar (40 psi)	0.1 kg (3.5 oz)	72 mm (2.84")	45 mm (1.77")
270108	65 mm (2.5")	48-70 mm (2.34"-2.75")	0,9 bar (13 psi)	9.1 M (30 ft.)	2,4 bar (35 psi)	0.2 kg (6.5 oz)	114 mm (4.5")	59 mm (2.3")
270032	75 mm (3")	70-83 mm (2.77"-3.25")	0,9 bar (13 psi)	9.1 M (30 ft.)	2,4 bar (35 psi)	0.2 kg (6.5 oz)	132 mm (5.25")	67 mm (2.64")
270040	100 mm (4")	87-108 mm (3.41"-4.25")	0,9 bar (13 psi)	9.1 M (30 ft.)	2,1 bar (30 psi)	0.25 kg (9 oz)	163 mm (6.5")	83 mm (3.25")
270059	125 mm (5")	117-133 mm (4.6"-5.25")	0,9 bar (13 psi)	9.1 M (30 ft.)	2,1 bar (30 psi)	0.6 kg (1.3 lbs)	200 mm (7.75")	114 mm (4.5")
270067	150 mm (6")	138-159 mm (5.44"-6.25")	0,9 bar (13 psi)	9.1 M (30 ft.)	2,1 bar (30 psi)	0.85 kg (1.9 lbs)	230 mm (9.00")	135 mm (5.25")

MULTI SIZE TEST-BALLS



PART NUMBER	NOMINAL SIZE	USAGE RANGE	MAXIMUM BACK PRESSURE	INFLATION PRESSURE	PRODUCT WEIGHT	DEFLATED LENGTH	DEFLATED DIAMETER	
276128	35-50 mm (1.25"-2")	32-53 mm (1.25"-2.10")	1,2 bar (17 psi)	12 M (40 ft.)	2,8 bar (40 psi)	0.11 kg (3.7 oz)	141 mm (5.56")	31 mm (1.21")
276238	50-75 mm (2"-3")	48-80 mm (1.9"-3.1")	1,2 bar (17 psi)	12 M (40 ft.)	2,4 bar (35 psi)	0.13 kg (4.7 oz)	141 mm (5.57")	45 mm (1.78")
276348	75-100 mm (3"-4")	70-108 mm (2.8"-4.25")	1,2 bar (17 psi)	12 M (40 ft.)	2,8 bar (40 psi)	0.22 kg (7.8 oz)	132 mm (5.18")	67 mm (2.64")
276468	100-150 mm (4"-6")	87-155 mm (3.4"-6.25")	1,2 bar (17 psi)	12 M (40 ft.)	2,1 bar (30 psi)	0.62 kg (1.4 lbs)	241 mm (9.47")	83 mm (3.28")

ALWAYS BLOCK PLUGS WHEN CONDUCTING AIR TESTS.

LONG BLOCKING PLUGS

Cherne's Long Test-Ball® plugs are designed for waste stack testing – sealing the rise and the run to perform the test. These long ball plugs can also be used to seal the wye to conduct sewer air tests. Molded-in sealing ribs at each end of the plug ensure a leak-free seal.

Long Test-Ball® Plug (“The Original”) Features:

- Ring and chain assembly keeps plug from entering line during deflation
- Includes 3' extension hose

MS2® Long Test-Ball® Plug Features:

- Multi-size design for use in various pipe diameters
- Multi-stage design eliminates backsplash
- Integrated relief valve reduces the possibility of over-inflation
- Nylon strap and handle keeps plug from entering line during deflation
- Includes 5' extension hose

LONG TEST-BALL



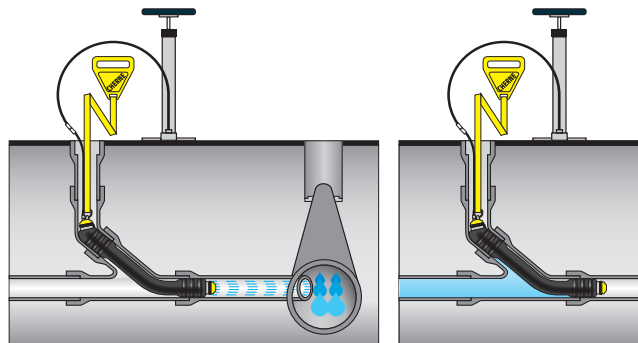
PART NUMBER	NOMINAL SIZE	USAGE RANGE	MAXIMUM BACK PRESSURE		INFLATION PRESSURE	PRODUCT WEIGHT	DEFLATED LENGTH	DEFLATED DIAMETER
271020	50 mm (2")	44-57 mm (1.75"-2.25")	0,9 bar (13 psi)	9.1 M (30 ft.)	3,1 bar (45 psi)	0.51 kg (1.1 lbs)	464 mm (18.25")	38 mm (1.5")
271039	75 mm (3")	70-83 mm (2.75"-3.25")	0,9 bar (13 psi)	9.1 M (30 ft.)	2,4 bar (35 psi)	0.85 kg (1.88 lbs)	527 mm (20.75")	59 mm (2.31")
271047	100 mm (4")	89-108 mm (3.5"-4.25")	0,9 bar (13 psi)	9.1 M (30 ft.)	2,1 bar (30 psi)	1.04 kg (2.31 lbs)	629 mm (24.75")	64 mm (2.5")
271098	100-150 mm (4"-6")	83-159 mm (3.25"-6.25")	0,9 bar (13 psi)	9.1 M (30 ft.)	3,1 bar (45 psi)	1.81 kg (4 lbs)	724 mm (28.5")	76 mm (3.0")
271063	150 mm (6")	140-159 mm (5.5"-6.25")	0,9 bar (13 psi)	9.1 M (30 ft.)	2,1 bar (30 psi)	2.41 kg (5.3 lbs)	718 mm (28.25")	105 mm (4.12")

MS2 LONG TEST-BALL



PART NUMBER	NOMINAL SIZE	USAGE RANGE	MAXIMUM BACK PRESSURE		INFLATION PRESSURE	PRODUCT WEIGHT	DEFLATED LENGTH	DEFLATED DIAMETER
274518	50-75 mm (2"-3")	44-83 mm (1.75"-3.25")	0,9 bar (13 psi)	9.1 M (30 ft.)	2,8 bar (40 psi)	0.5 kg (1.31 lbs)	494 mm (19.44")	37 mm (1.58")
274526	75-100 mm (3"-4")	70-108 mm (2.75"-4.25")	0,9 bar (13 psi)	9.1 M (30 ft.)	2,8 bar (40 psi)	1.1 kg (2.45 lbs)	603 mm (23.75")	60 mm (2.38")
274534	100-150 mm (4"-6")	89-159 mm (3.5"-6.25")	0,9 bar (13 psi)	9.1 M (30 ft.)	2,1 bar (30 psi)	1.41 kg (3.91 lbs)	676 mm (26.62")	83 mm (3.25")

Long Test-Ball® & MS2® Long Test-Ball® plugs seals lateral during sewer air test



MS2® Long Test-Ball® Plugs Top inflates first, deflates last; no backsplash

ALWAYS BLOCK PLUGS WHEN CONDUCTING AIR TESTS.





BLOCKING PLUGS

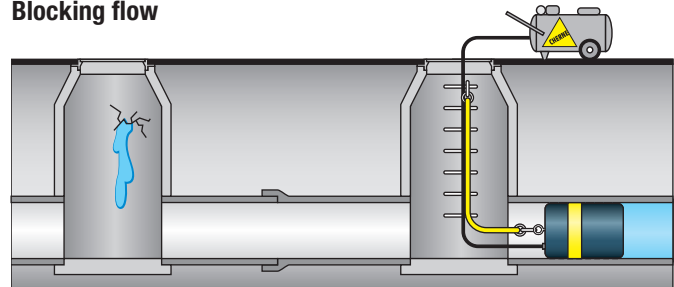


Cherne's Original Single Size and Multi-Size Test Ball Plugs are our most economical pneumatic plugs for blocking flow to do maintenance in sanitary and storm sewer systems. These plugs may also be used as a back plug for sewer air tests.

All of the single-size and multi-size Test Ball plugs have eyebolts for attaching a rope or clevis for lifting and lowering the plug. And each plug also has a removable Schrader valve for easy replacement or substitution with a quick disconnect fitting.

Made from natural rubber, these plugs are tough, tear-resistant and will work on any type of pipe, including out-of-round pipe.

Blocking flow



SINGLE SIZE ORIGINAL TEST BALLS



PART NUMBER	NOMINAL SIZE	USAGE RANGE	MAXIMUM BACK PRESSURE	INFLATION PRESSURE	PRODUCT WEIGHT	DEFLATED LENGTH	DEFLATED DIAMETER	INFLATION THREAD	CHAIN / EYE BOLTS	
041386	200 mm (8")	178-210 mm (7"-8.25")	1,2 bar (17 psi)	12 M (40 ft.)	1,7 bar (25 psi)	1.6 kg (3.4 lbs)	257 mm (10.25")	172 mm (6.75")	1 (1/4")	1 (3/8")
041394	250 mm (10")	229-260 mm (9"-10.25")	1,2 bar (17 psi)	12 M (40 ft.)	1,7 bar (25 psi)	2.5 kg (5.6 lbs)	298 mm (11.75")	221 mm (8.75")	1 (1/4")	1 (3/8")
041408	300 mm (12")	267-311 mm (10.5"-12.25")	1,2 bar (17 psi)	12 M (40 ft.)	1,7 bar (25 psi)	5 kg (10.9 lbs)	351 mm (13.75")	262 mm (10.25")	1 (1/4")	1 (3/8")
041416	375-400 mm (15-16")	356-413 mm (14"-16.25")	0,9 bar (13 psi)	12 M (40 ft.)	1,7 bar (25 psi)	13.4 kg (29.5 lbs)	502 mm (19.75")	346 mm (13.75")	1 (1/4")	2 (3/8")

MULTI-SIZE ORIGINAL TEST BALLS



PART NUMBER	NOMINAL SIZE	USAGE RANGE	MAXIMUM BACK PRESSURE	INFLATION PRESSURE	PRODUCT WEIGHT	DEFLATED LENGTH	DEFLATED DIAMETER	INFLATION THREAD	CHAIN / EYE BOLTS	
275048	100-150 mm (4"-6")	92-159 mm (3.75"-6.25")	1,2 bar (17 psi)	12 M (40 ft.)	2,1 bar (30 psi)	0.91 kg (2 lbs)	250 mm (9.8")	85 mm (3.5")	1 (1/8")	1 (1/4")
275058	150-200 mm (6"-8")	135-210 mm (5.25"-8.25")	1,2 bar (17 psi)	12 M (40 ft.)	2,1 bar (30 psi)	1.6 kg (3.5 lbs)	356 mm (14")	127 mm (5")	1 (1/4")	1 (3/8")
275088	200-300 mm (8"-12")	178-311 mm (7"-12.25")	0,75 bar (11 psi)	8 M (25 ft.)	1,4 bar (20 psi)	3 kg (6.63 lbs)	406 mm (16")	171 mm (6.75")	1 (1/4")	1 (3/8")

ALWAYS BLOCK PLUGS WHEN CONDUCTING AIR TESTS.

i2-SERIES BLOCKING PLUGS

Cherne® i2-Series Blocking Plugs are designed for blocking flow for maintenance in sanitary and storm sewer systems. With an optimized design that offers improved safety and performance, these blocking plugs are short, lightweight and flexible for easy installation and use in compact spaces. i2-Series blocking plugs are available in a variety of expansion ranges and made of tear-resistant, natural rubber.

Features/Benefits:

- i2-Series blocking plug
- Blocks flow in sanitary and storm sewer system maintenance
- Short, lightweight, and flexible for easy installation, use and transport.
- Equipped with Nitto fittings
- 0.8 BAR maximum backpressure
- Made of tough, tear-resistant natural rubber
- Mechanically bonded rubber and end plates eliminate failures from chemical bonding
- Full body cording provides added durability
- Aluminum end plates minimize rust and corrosion
- 20 mm eyebolts offer superior holding strength

i2-SERIES BLOCKING PLUGS*



PART NUMBER	RANGE / NOMINAL SIZE (MM)	DEFLATED LENGTH (MM)	INFLATION PRESSURE (BAR)	MAX BACK PRESSURE (BAR)	WEIGHT (KG)	NUMBERS OF EYE BOLT	INFLATION THREAD
410008	100-200	425	2.5	0.8	2.5	1	1/4"
410018	150-300	540	2.5	0.8	3.3	1	1/4"
410028	200-400	635	2.5	0.8	5.5	1	1/4"
410038	200-500	800	2.5	0.8	8	1	1/4"
410048	300-600	825	2.5	0.8	12	4	1/4"
410058	400-800	1135	2.5	0.8	22	4	1/2"
410068	500-1000	1245	2.5	0.8	26	4	1/2"
410078	600-1200	1525	1.5	0.8	45	4	1/2"
410088	600-1500	2300	1.5	0.8	65	4	1/2"

*Add the prefix "M" to the beginning of the part number for a Male quick disconnect inflation port. Add the prefix "S" to the beginning of the part number for a Schrader valve inflation port

ALWAYS BLOCK PLUGS WHEN CONDUCTING AIR TESTS.



i2-SERIES BACK PRESSURE CHART

TYPE OF PIPE PLUG	100 200	150 300	200 400	200 500	300 600	400 800	500 1000	600 1200	600 1500
REQ. PRES.	2,5 BAR	2,5 BAR	2,5 BAR	2,5 BAR	2,5 BAR	2,5 BAR	2,5 BAR	1,5 BAR	1,5 BAR
SIZE MM	2,5 BAR	2,5 BAR	2,5 BAR	2,5 BAR	2,5 BAR	2,5 BAR	2,5 BAR	1,5 BAR	1,5 BAR
100	2,0	-	-	-	-	-	-	-	-
110	1,9	-	-	-	-	-	-	-	-
125	1,8	-	-	-	-	-	-	-	-
150	1,3	2,0	-	-	-	-	-	-	-
200	0,8	1,7	2,0	2,0	-	-	-	-	-
225	-	1,5	1,9	1,9	-	-	-	-	-
250	-	1,2	1,8	1,8	-	-	-	-	-
275	-	1,0	1,6	1,7	-	-	-	-	-
300	-	0,8	1,4	1,5	2,0	-	-	-	-
350	-	-	1,1	1,3	1,8	-	-	-	-
400	-	-	0,8	1,0	1,7	2,0	-	-	-
450	-	-	-	0,9	1,5	1,9	-	-	-
500	-	-	-	0,8	1,4	1,8	1,9	-	-
550	-	-	-	-	1,1	1,6	1,8	-	-
600	-	-	-	-	0,8	1,4	1,6	1,4	1,4
700	-	-	-	-	-	1,1	1,4	1,3	1,4
800	-	-	-	-	-	0,8	1,2	1,2	1,3
900	-	-	-	-	-	-	1,0	1,1	1,3
1000	-	-	-	-	-	-	0,8	1,0	1,2
1200	-	-	-	-	-	-	-	0,8	1,1
1400	-	-	-	-	-	-	-	-	1,0
1500	-	-	-	-	-	-	-	-	0,8

Can be used safely for the diameters specified

Suitable for use with moderate backpressure

Suitable for use with low or no backpressure

- The plug is not suitable for the diameters specified

PLEASE NOTE: Values are indicative in clean concrete pipes. Pipe plugs should be blocked properly under all circumstances. Maximum back pressure when performing air tests: 200 mbar, valid for all pipe diameters.

ALWAYS BLOCK PLUGS WHEN CONDUCTING AIR TESTS.

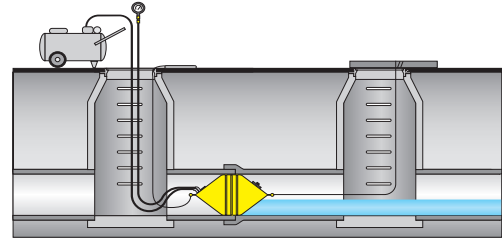
PILLOW-STYLE PLUGS

Cherne's Pillow-Style Test-Balls are great for blocking sewer flow. Made from heavy-duty elastic urethane, these plugs are lightweight, flexible, chemical and petroleum resistant, and will fit through small diameter openings.

Features:

- Equipped with a special 30' inflation hose, read-back line and gauge
- A repair kit is available to fix small tears and punctures

Blocking flow



PILLOW-STYLE TEST-BALL



Pillow-Style Test-Ball® plugs are not suitable for leak location or vacuum testing. Custom sizes of the Pillow-Style Test-Ball® plug are also available.

PART NUMBER	NOMINAL SIZE	USAGE RANGE	MAXIMUM BACK PRESSURE		INFLATION PRESSURE	PRODUCT WEIGHT	DEFLATED LENGTH	DEFLATED DIAMETER	INFLATION THREAD
277108	375 mm (*15")	373-394 mm (14.7"-15.5")	1 bar (15 psi)	11 M (35 ft.)	1,65 bar (24 psi)	3.2 kg (7 lbs)	1100 mm (43")	305 mm (12")	1 (1/4")
277118	450 mm (*18")	451-477 mm (17.8"-18.8")	1 bar (15 psi)	11 M (35 ft.)	1,65 bar (24 psi)	4.1 kg (9 lbs)	1100 mm (43")	305 mm (12")	1 (1/4")
277128	500 mm (*20")	498-526 mm (19.6"-20.7")	0,9 bar (13 psi)	9.1 M (30 ft.)	1,24 bar (18 psi)	5.5 kg (12 lbs)	1100 mm (43")	305 mm (12")	1 (1/4")
277134	525 mm (*21")	523-554 mm (20.6"-21.8")	0,9 bar (13 psi)	9.1 M (30 ft.)	1,24 bar (18 psi)	6.4 kg (14 lbs)	1100 mm (43")	305 mm (12")	1 (1/4")
277142	600 mm (*24")	598-641 mm (23.5"-25.2")	0,76 bar (11 psi)	7.6 M (25 ft.)	1,24 bar (18 psi)	7.3 kg (16 lbs)	1700 mm (66")	305 mm (12")	1 (1/4")
277150	700 mm (*27")	672-717 mm (26.5"-28.2")	0,76 bar (11 psi)	7.6 M (25 ft.)	1,24 bar (18 psi)	8.2 kg (18 lbs)	1700 mm (66")	305 mm (12")	1 (1/2")
277169	750 mm (30")	747-794 mm (29.4"-31.25")	0,76 bar (11 psi)	7.6 M (25 ft.)	1,24 bar (18 psi)	9.1 kg (20 lbs)	1700 mm (66")	305 mm (12")	1 (1/2")
277177	850 mm (33")	819-870 mm (32.3"-34.25")	0,61 bar (8.7 psi)	6.1 M (20 ft.)	0,9 bar (13 psi)	9.9 kg (22 lbs)	2413 mm (95")	305 mm (12")	1 (1/2")
277185	900 mm (36")	896-953 mm (35.3"-37.5")	0,61 bar (8.7 psi)	6.1 M (20 ft.)	0,9 bar (13 psi)	14.5 kg (32 lbs)	2413 mm (95")	305 mm (12")	1 (1/2")
277193	1100 mm (42")	1045-1111 mm (41.2"-43.7")	0,55 bar (7.8 psi)	5.5 M (18 ft.)	0,83 bar (12 psi)	16.4 kg (36 lbs)	2413 mm (95")	305 mm (12")	1 (1/2")
277207	1200 mm (48")	1195-1270 mm (47.04"-50")	0,4 bar (5.6 psi)	4 M (13 ft.)	0,83 bar (12 psi)	18.6 kg (41 lbs)	2413 mm (95")	305 mm (12")	1 (1/2")
277215	1400 mm (54")	1344-1422 mm (52.92"-56")	0,4 bar (5.6 psi)	4 M (13 ft.)	0,7 bar (10 psi)	21.8 kg (48 lbs)	2413 mm (95")	381 mm (15")	1 (1/2")
277223	1500 mm (60")	1494-1575 mm (58.8"-62")	0,4 bar (5.6 psi)	4 M (13 ft.)	0,7 bar (10 psi)	29.1 kg (64 lbs)	3200 mm (126")	381 mm (15")	1 (1/2")
277231	1700 mm (66")	1643-1727 mm (64.7"-68")	0,24 bar (3.5 psi)	2.4 M (8 ft.)	0,55 bar (8 psi)	31.8 kg (70 lbs)	3200 mm (126")	381 mm (15")	1 (1/2")

ACCESSORIES

PART NUMBER	DESCRIPTION
008948	12" x 24" Pillow Plug Patch Kit

*15"- 27" pillow-style plugs have standard sniffer valve air connection.

FLOW-THROUGH PLUGS

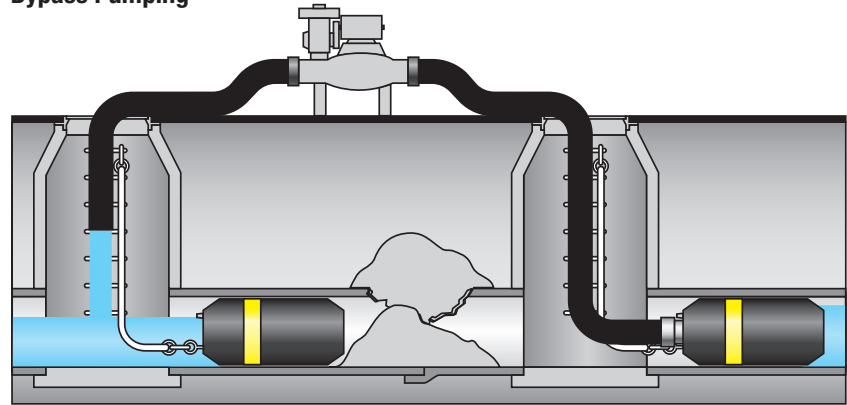


The Flow-Through Plug was introduced over 50 years ago and the Cherne brand continues to be the most trusted name in pneumatic plugs today. Flow-Through Plugs offer a full bypass allowing both testing and monitoring of piping systems. Flow-Throughs are ideal for installation and repair of residential or commercial piping systems. Cherne Flow-Through products can also be used for maintenance of municipal infrastructure, including sanitary and storm sewer pipe systems. Flow-Through plugs are durable, rugged and are effective on almost any type of pipe.

Features:

- Flow-Through Plugs are supplied with Schrader tire inflation valves
- Larger diameter Flow-Through Plugs include a removable threaded valve, allowing the user to replace with quick disconnect fittings
- Multi-Size® Flow-Through Plugs allow more options and less inventory
- 8", 10", 12" and 15" Sizes now include modified plug (078751) for sewer air tests

Bypass Pumping



FLOW-THROUGH PLUGS CONTINUED

SINGLE SIZE



PART NUMBER	NOM. SIZE	BYPASS DIAMETER (NPT)	USAGE RANGE	MAXIMUM BACK PRESSURE	INFLATION PRESSURE	PRODUCT WEIGHT	DEFLATED LENGTH	DEFLATED DIAMETER	INFLATION THREAD	CHAIN / EYE BOLTS	
262008	40 mm (1.5")	1/4" M	38-48 mm (1.49"-1.88")	1,5 bar (22 psi)	15 M (50 ft)	2,8 bar (40 psi)	0.2 kg (0.3 lbs)	97 mm (3.8")	36 mm (1.4")	Molded in Valve	Removable Chain
262010	50 mm (2")	1/8" F	48-57 mm (1.88"-2.25")	1,5 bar (22 psi)	15 M (50 ft)	2,8 bar (40 psi)	0.3 kg (0.4 lbs)	152 mm (6")	44 mm (1.75")	Molded in Valve	Removable Chain
262038	64 mm (2.5")	1/8" F	57-70 mm (2.25"-2.75")	1 bar (15 psi)	11 M (35 ft)	2,8 bar (40 psi)	0.27 kg (0.6 lbs)	145 mm (5.7")	53 mm (2.07")	Molded in Valve	Removable Chain
262258	75 mm (3")	1/2" F	67-83 mm (2.62"-3.25")	1,5 bar (22 psi)	15 M (50 ft)	2,8 bar (40 psi)	0.5 kg (1.25 lbs)	203 mm (8")	64 mm (2.5")	Molded in Valve	Removable Chain
262048	100 mm (4")	3/4" F	83-108 mm (3.25"-4.25")	1,5 bar (22 psi)	15 M (50 ft)	2,8 bar (40 psi)	0.7 kg (1.5 lbs)	203 mm (8")	80 mm (3.13")	Molded in Valve	1 (1/4")
262064	150 mm (6")	1 1/2" F	144-159 mm (4.50"-6.25")	0,9 bar (13 psi)	9.1 M (30 ft.)	2,4 bar (35 psi)	1 kg (2 lbs)	178 mm (7")	112 mm (4.5")	1/8"	1 (1/4")
262080	200 mm (8")	3" F	178-210 mm (7.00"-8.25")	0,9 bar (13 psi)	9.1 M (30 ft.)	2,4 bar (35 psi)	2.3 kg (5 lbs)	254 mm (10")	170 mm (6.75")	1/4"	1 (3/8")
262110	250 mm (10")	3" F	229-260 mm (9.00"-10.25")	0,9 bar (13 psi)	9.1 M (30 ft.)	2,4 bar (35 psi)	4 kg (9 lbs)	298 mm (11.75")	222 mm (8.75")	1/4"	1 (3/8")
262129	300 mm (12")	3" F	267-311 mm (10.50"-12.25")	0,9 bar (13 psi)	9.1 M (30 ft.)	2,4 bar (35 psi)	6 kg (13 lbs)	350 mm (13.75")	260 mm (10.25")	1/4"	1 (3/8")
262137	375-400 mm (15"-16")	3" F	356-413 mm (14.0"-16.0")	0,9 bar (13 psi)	9.1 M (30 ft.)	2,4 bar (35 psi)	15 kg (33 lbs)	502 mm (19.75")	346 mm (13.75")	1/4"	1 (3/8")

MULTI-SIZE

PART NUMBER	NOMINAL SIZE	BYPASS DIAMETER (NPT)	USAGE RANGE	MAXIMUM BACK PRESSURE	INFLATION PRESSURE	PRODUCT WEIGHT	DEFLATED LENGTH	DEFLATED DIAMETER	INFLATION THREAD	CHAIN / EYE BOLTS	
265048	100-150 mm (4"-6")	3/4" F	95-159 mm (3.75"-6.25")	1,2 bar (17 psi)	12 M (40 ft)	2,4 bar (35 psi)	1.1 kg (2.5 lbs)	273 mm (10.75")	88 mm (3.46")	1/8"	1 (1/4")
265068	150-200 mm (6"-8")	1-1/2" F	133-212 mm (5.50"-8.35")	1,2 bar (17 psi)	12 M (40 ft)	2,4 bar (35 psi)	2.7 kg (6 lbs)	330 mm (13")	125 mm (5")	1/4"	1 (3/8")
265078	22-250 mm (8"-10")	2" F	178-260 mm (7.00"-10.25")	1,2 bar (17 psi)	12 M (40 ft)	2,1 bar (30 psi)	3 kg (9 lbs)	368 mm (14.5")	171 mm (6.75")	1/4"	1 (3/8")

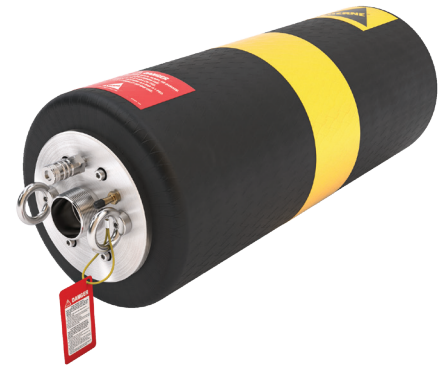
i2-SERIES FLOW-THROUGH PLUGS



Cherne® i2-Series Flow-Through Plugs offer a full bypass, allowing for both testing and monitoring of piping systems. Ideal for installation and repair of residential or commercial piping systems, these bypass plugs can also be used for maintenance of municipal infrastructure, including sanitary and storm sewer pipe systems. With an optimized design that offers improved safety and performance, these flow-through plugs are short, lightweight and flexible for easy installation and use in compact spaces. i2-Series flow-through plugs are available in a variety of sizes and are effective on almost any type of pipe. Ruggedly reliable, these bypass plugs are made of premium, tear-resistant natural rubber with full body cording for added durability.

Features/Benefits:

- i2-Series flow-through plug
- For testing and monitoring of piping systems
- Short and lightweight for easy installation, use and transport
- Equipped with Nitto fittings
- 0.8 BAR maximum backpressure
- Made of tough, tear-resistant natural rubber
- Mechanically bonded rubber and end plates eliminate failures from chemical bonding
- Full body cording provides added durability
- Aluminum end plates minimize rust and corrosion
- High-quality eyebolts offer superior holding strength



i2-SERIES FLOW-THROUGH PLUGS*

PART NUMBER	RANGE/NOMINAL SIZE (MM)	DEFLATED LENGTH (MM)	INFLATION PRESSURE (BAR)	MAX BACKPRESSURE (BAR)	WEIGHT (KG)	NUMBERS OF EYE BOLT	INFLATION THREAD	BYPASS SIZE
411008	100-200	425	2.5	0.8	3.5	1	1/4"	1/4"
411018	150-300	540	2.5	0.8	5	1	1/4"	1/2"
412028	200-400	635	2.5	0.8	2.5	1	1/4"	50 mm (2")
412048	300-600	825	2.5	0.8	19	4	1/4"	50 mm (2")
413048	300-600	825	2.5	0.8	19	4	1/4"	75 mm (3")
413058	400-800	1135	2.5	0.8	22	4	1/2"	75 mm (3")
414068	500-1000	1245	2.5	0.8	26	4	1/2"	100 mm (4")
414078	600-1200	1525	1.5	0.8	45	4	1/2"	100 mm (4")
416078	600-1200	1525	1.5	0.8	45	4	1/2"	150 mm (6")
414088	600-1500	2300	1.5	0.8	65	4	1/2"	100 mm (4")
416088	600-1500	2300	1.5	0.8	65	4	1/2"	150 mm (6")

** Consult back pressure table on page 16.

*Add the prefix "M" to the beginning of the part number for a Male quick disconnect inflation port. Add the prefix "S" to the beginning of the part number for a Schrader valve inflation port

i2-SERIES FLOW-THROUGH PLUGS CONTINUED

i2-SERIES BACK PRESSURE CHART

TYPE OF PIPE PLUG	100 200	150 300	200 400	200 500	300 600	400 800	500 1000	600 1200	600 1500
REQ. PRES.	2,5 BAR	2,5 BAR	2,5 BAR	2,5 BAR	2,5 BAR	2,5 BAR	2,5 BAR	1,5 BAR	1,5 BAR
SIZE MM	2,0	-	-	-	-	-	-	-	-
100	2,0	-	-	-	-	-	-	-	-
110	1,9	-	-	-	-	-	-	-	-
125	1,8	-	-	-	-	-	-	-	-
150	1,3	2,0	-	-	-	-	-	-	-
200	0,8	1,7	2,0	2,0	-	-	-	-	-
225	-	1,5	1,9	1,9	-	-	-	-	-
250	-	1,2	1,8	1,8	-	-	-	-	-
275	-	1,0	1,6	1,7	-	-	-	-	-
300	-	0,8	1,4	1,5	2,0	-	-	-	-
350	-	-	1,1	1,3	1,8	-	-	-	-
400	-	-	0,8	1,0	1,7	2,0	-	-	-
450	-	-	-	0,9	1,5	1,9	-	-	-
500	-	-	-	0,8	1,4	1,8	1,9	-	-
550	-	-	-	-	1,1	1,6	1,8	-	-
600	-	-	-	-	0,8	1,4	1,6	1,4	1,4
700	-	-	-	-	-	1,1	1,4	1,3	1,4
800	-	-	-	-	-	0,8	1,2	1,2	1,3
900	-	-	-	-	-	-	1,0	1,1	1,3
1000	-	-	-	-	-	-	0,8	1,0	1,2
1200	-	-	-	-	-	-	-	0,8	1,1
1400	-	-	-	-	-	-	-	-	1,0
1500	-	-	-	-	-	-	-	-	0,8

Can be used safely for the diameters specified

Suitable for use with moderate backpressure

Suitable for use with low or no backpressure

- The plug is not suitable for the diameters specified

PLEASE NOTE: Values are indicative in clean concrete pipes. Pipe plugs should be blocked properly under all circumstances. Maximum back pressure when performing air tests: 200 mbar, valid for all pipe diameters.

BIG MOUTH® FLOW-THROUGH PLUGS



Big Mouth® plugs serve multiple applications. Great for **gravity bypassing** or **bypass pumping**.



Original Size Big Mouth Plugs

- Large male NPT threaded bypass
- Equipped with removable 9.5 mm (3/8") eyebolt for lifting /lowering plug
- Removable tire valve for easy replacement with optional quick disconnect
- Lightweight aluminum bypass



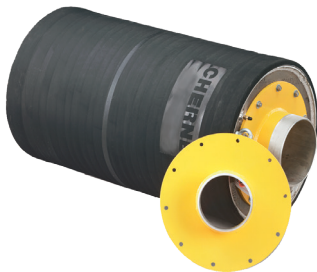
Single Size Big Mouth Plug

- Allows for largest bypass by pipe diameter
- 150 mm, 200 mm, 250 mm (6", 8", 10") sizes have threaded bypasses
- 300 mm, 375 mm, 450 mm, 525 mm, 600 mm (12", 15", 18", 21" and 24") have straight tube bypasses
- Attach hose with banding



Multi-Size Big Mouth Plug

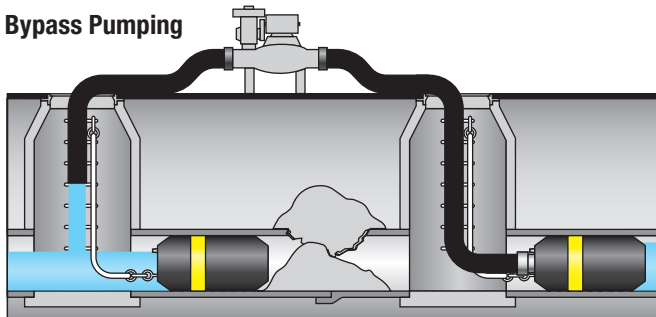
- Multi-size Big Mouth Plug offers greater expansion range
- Lightweight aluminum bypass
- Removable tire valve for easy replacement with optional quick disconnect



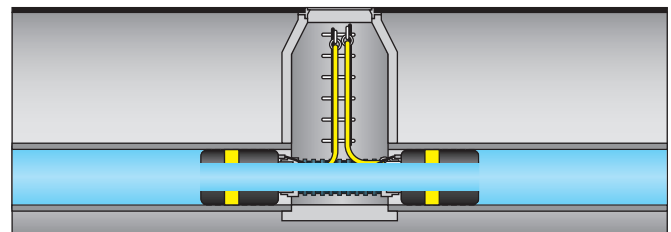
Multi-Size Big Mouth Plug with Interchangeable Bypass Flange

- Interchangeable Bypass for different bypass needs
- Multi-size Big Mouth Plug offers greater expansion range
- Lightweight aluminum bypass
- Removable tire valve for easy replacement with optional quick disconnect

Bypass Pumping



Gravity Bypassing



BIG MOUTH® FLOW-THROUGH PLUGS CONTINUED

ORIGINAL SIZE BIG MOUTH PLUGS

PART NUMBER	NOMINAL SIZE	BYPASS DIAMETER (NPT)	USAGE RANGE	MAXIMUM BACK PRESSURE		INFLATION PRESSURE	PRODUCT WEIGHT	DEFLATED LENGTH	DEFLATED DIAMETER	INFLATION THREAD	CHAIN / EYE BOLTS
269008	200-250 mm (8"-10")	100 mm (4" M)	185-250 mm (7.25"-10.25")	0,76 bar (11 psi)	7.6 M (25 ft.)	2,4 bar (35 psi)	4 kg (8.8 lbs)	378 mm (14.88")	176 mm (6.94")	1 (1/4")	1 (3/8")
269018	250-300 mm (10"-12")	150 mm (6" M)	235-311 mm (9.25"-12.25")	0,76 bar (11 psi)	7.6 M (25 ft.)	2,1 bar (30 psi)	7.12 kg (15.7 lbs)	438 mm (17.25")	224 mm (8.81")	1 (1/4")	1 (3/8")
269028	300-380 mm (12"-15")	150 mm (6" M)	270-387 mm (10.62"-15.25")	0,76 bar (11 psi)	7.6 M (25 ft.)	2,1 bar (30 psi)	9 kg (20 lbs)	454 mm (17.88")	260 mm (10.25")	1 (1/4")	1 (3/8")

SINGLE SIZE BIG MOUTH PLUGS

PART NUMBER	NOMINAL SIZE	BYPASS DIAMETER (NPT)	USAGE RANGE	MAXIMUM BACK PRESSURE		INFLATION PRESSURE	PRODUCT WEIGHT	DEFLATED LENGTH	DEFLATED DIAMETER	INFLATION THREAD	CHAIN / EYE BOLTS
369068	150 mm (6")	100 mm (4" M)	145-161 mm (5.69"-6.34")	0,76 bar (11 psi)	7.6 M (25 ft.)	2,1 bar (30 psi)	3.2 kg (7 lbs)	337 mm (13.25")	137 mm (5.38")	1 (1/4")	1 (3/8")
369088	200 mm (8")	150 mm (6" M)	195-215 mm (7.75"-8.45")	0,76 bar (11 psi)	7.6 M (25 ft.)	2,1 bar (30 psi)	4.5 kg (10 lbs)	406 mm (16")	191 mm (7.5")	1 (1/4")	1 (3/8")
369108	250 mm (10")	200 mm (8" OD)	250-266 mm (9.75"-10.46")	0,76 bar (11 psi)	7.6 M (25 ft.)	2,1 bar (30 psi)	7.7 kg (17 lbs)	508 mm (20")	232 mm (9.13")	1 (1/4")	1 (3/8")
369128	300 mm (12")	250 mm (10" OD)	300-318 mm (11.75"-12.52")	0,76 bar (11 psi)	7.6 M (25 ft.)	2,1 bar (30 psi)	9.5 kg (21 lbs)	508 mm (20")	283 mm (11.13")	1 (1/4")	1 (3/8")
369158	380 mm (15")	300 mm (12" OD)	353-395 mm (13.9"-15.56")	0,76 bar (11 psi)	7.6 M (25 ft.)	2,1 bar (30 psi)	11.8 kg (26 lbs)	508 mm (20")	333 mm (13.13")	1 (1/4")	1 (3/8")
369188	450 mm (18")	375 mm (15" OD)	429-476 mm (16.88"-18.74")	0,76 bar (11 psi)	7.6 M (25 ft.)	2,1 bar (30 psi)	14 kg (31 lbs)	508 mm (20")	410 mm (16.13")	1 (1/4")	1 (3/8")
369218	525 mm (21")	450 mm (18" OD)	508-554 mm (20.01"-21.81")	0,76 bar (11 psi)	7.6 M (25 ft.)	2,1 bar (30 psi)	16.8 kg (37 lbs)	508 mm (20")	486 mm (19.13")	1 (1/4")	1 (3/8")
369248	600 mm (24")	500 mm (20" OD)	575-634 mm (22.63"-24.98")	0,76 bar (11 psi)	7.6 M (25 ft.)	2,1 bar (30 psi)	19 kg (42 lbs)	508 mm (20")	537 mm (21.13")	1 (1/4")	1 (3/8")



MULTI-SIZE BIG MOUTH PLUGS

PART NUMBER	NOMINAL SIZE	BYPASS DIAMETER (NPT)	USAGE RANGE	MAXIMUM BACK PRESSURE		INFLATION PRESSURE	PRODUCT WEIGHT	DEFLATED LENGTH	DEFLATED DIAMETER	INFLATION THREAD	CHAIN / EYE BOLTS
374068	150-250 mm (6"-10")	100 mm (4" M)	146-260 mm (5.75"-10.25")	0,69 bar (10 psi)	10 M (23 ft.)	2,8 bar (40 psi)	6.8 kg (15 lbs)	622 mm (24.5")	146 mm (5.65")	1 (1/4")	1 (3/8")
374088	200-300 mm (8"-12")	100 mm (4" M)	178-311 mm (7"-12.25")	1 bar (15 psi)	10.5 M (34 ft.)	2,4 bar (35 psi)	10 kg (22 lbs)	660 mm (26")	165 mm (6.75")	1 (1/4")	1 (3/8")
376088	200-300 mm (8"-12")	150 mm (6" M)	178-311 mm (7"-12.25")	1 bar (15 psi)	10.5 M (34 ft.)	2,4 bar (35 psi)	10 kg (22 lbs)	660 mm (26")	165 mm (6.76")	1 (1/4")	1 (3/8")
376128	300-450 mm (12"-18")	150 mm (6" M)	286-464 mm (11.25"-18.25")	0,69 bar (10 psi)	10 M (23 ft.)	1,7 bar (25 psi)	21 kg (45 lbs)	711 mm (28")	279 mm (11")	1 (1/4")	1 (3/8")
378128	300-450 mm (12"-18")	200 mm (8" M)	286-464 mm (11.25"-18.25")	0,69 bar (10 psi)	10 M (23 ft.)	1,7 bar (25 psi)	21 kg (45 lbs)	711 mm (28")	279 mm (11")	1 (1/4")	1 (3/8")

MULTI-SIZE PLUGS WITH INTERCHANGEABLE FLANGE

PART NUMBER	NOMINAL SIZE	BYPASS DIAMETER (NPT)	USAGE RANGE	MAXIMUM BACK PRESSURE		INFLATION PRESSURE	PRODUCT WEIGHT	DEFLATED LENGTH	DEFLATED DIAMETER	INFLATION THREAD	CHAIN / EYE BOLTS
376148	375-525 mm (14"-21")	150 mm (6" M)	345-540 mm (13.6"-21.25")	0,69 bar (10 psi)	10 M (23 ft.)	1,7 bar (25 psi)	27 kg (60 lbs)	762 mm (30")	337 mm (13.25")	1 (1/8")	2 (3/8")
378148	375-525 mm (14"-21")	200 mm (8" M)	345-540 mm (13.6"-21.26")	0,69 bar (10 psi)	10 M (23 ft.)	1,7 bar (25 psi)	27 kg (60 lbs)	762 mm (30")	337 mm (13.25")	1 (1/8")	2 (3/8")
380148	375-525 mm (14"-21")	250 mm (10" M)	345-540 mm (13.6"-21.27")	0,69 bar (10 psi)	10 M (23 ft.)	1,7 bar (25 psi)	27 kg (60 lbs)	762 mm (30")	337 mm (13.25")	1 (1/8")	2 (3/8")
376188	450-600 mm (18"-24")	150 mm (6" M)	419-616 mm (16.5"-24.25")	0,69 bar (10 psi)	10 M (23 ft.)	1,5 bar (22 psi)	41 kg (90 lbs)	864 mm (34")	406 mm (16")	1 (1/8")	2 (1/2")
378188	450-600 mm (18"-24")	200 mm (8" M)	419-616 mm (16.5"-24.26")	0,69 bar (10 psi)	10 M (23 ft.)	1,5 bar (22 psi)	41 kg (90 lbs)	864 mm (34")	406 mm (16")	1 (1/8")	2 (1/2")
380188	450-600 mm (18"-24")	250 mm (10" M)	419-616 mm (16.5"-24.27")	0,69 bar (10 psi)	10 M (23 ft.)	1,5 bar (22 psi)	41 kg (90 lbs)	864 mm (34")	406 mm (16")	1 (1/8")	2 (1/2")

BIG MOUTH FLANGE KITS

PART NUMBER	NOMINAL SIZE	BYPASS DIAMETER
049068	350 mm-525 mm (14"-21")	150 mm (6" M)
049088	350 mm-525 mm (14"-21")	200 mm (8" M)
049188	450 mm-600 mm (18"-24")	200 mm (8" M)
049208	450 mm-600 mm (18"-24")	250 mm (10" M)

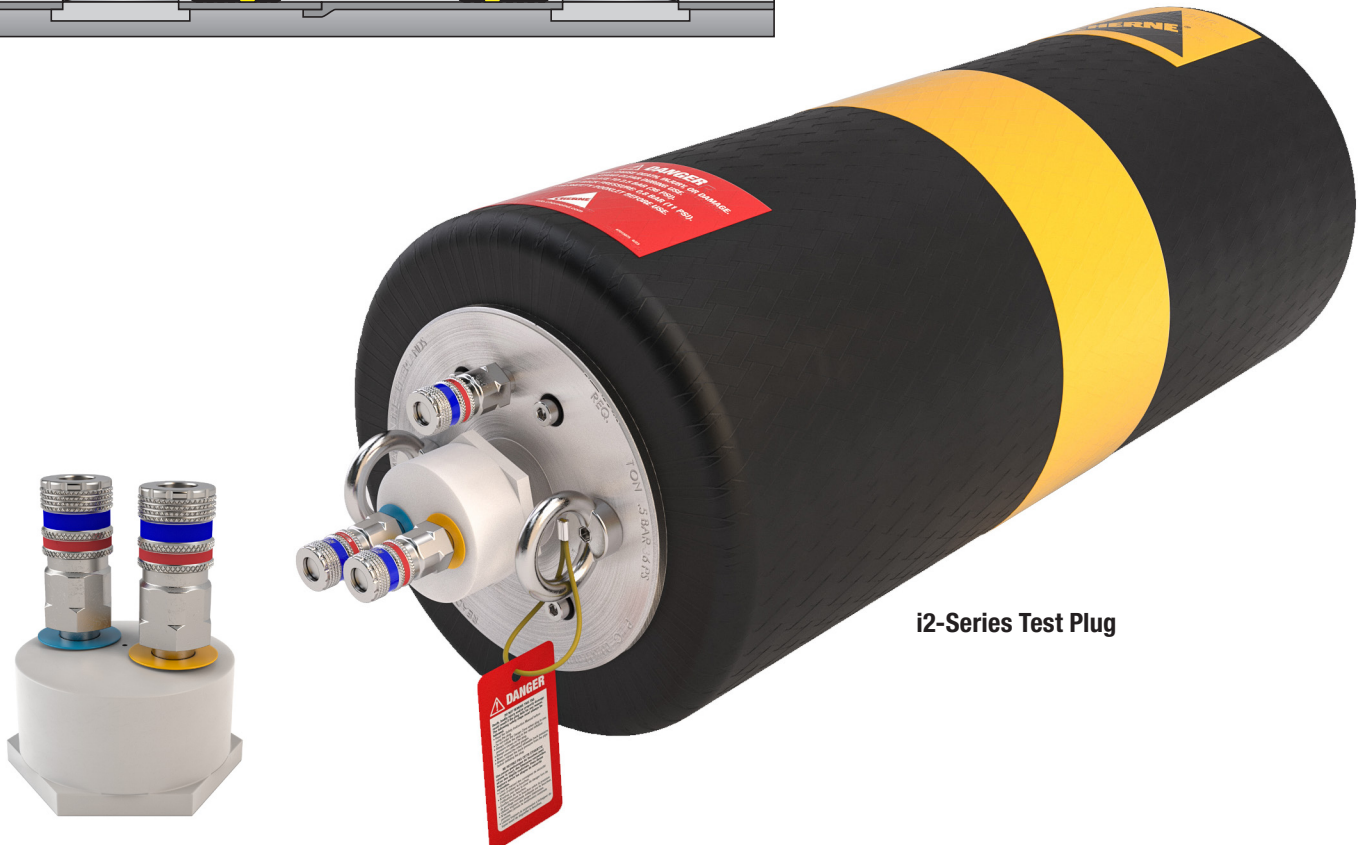
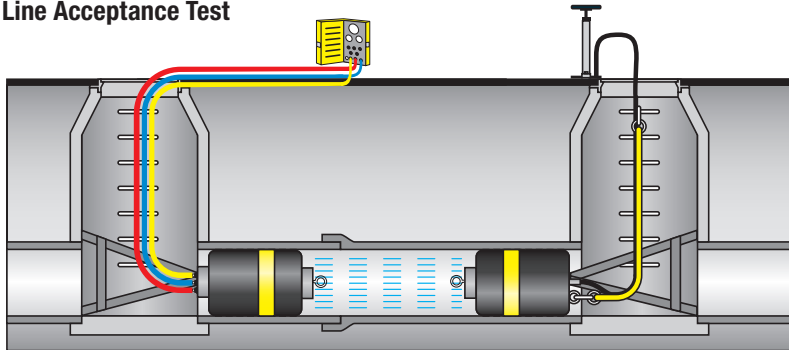
i2-SERIES TEST PLUGS

Cherne® i2-Series Test Plugs are designed for line acceptance tests and leak location testing. With an optimized design that offers improved safety and performance, these test plugs are short in length and lightweight for easy installation and use in compact spaces. Color-coded inflation ports match the plug with the hose and panel system.

Features/Benefits:

- i2-Series bypass adapter kit allows you to convert a flow-through plug into a test plug
- High-quality eyebolts offer superior holding strength
- Easy-to-use quick-disconnect hose [Color coded]
- Color-coded inflation ports match plug with hose and panel system
- Equipped with Nitto fittings, removable air fittings and flexible internal hoses
- 0.8 BAR maximum backpressure
- Made of tough, tear-resistant natural rubber
- Mechanically bonded rubber and end plates eliminate failures from chemical bonding
- Full body cording provides added durability
- Aluminum end plates minimize rust and corrosion

Line Acceptance Test



i2-Series Test Plug



i2-SERIES TEST PLUGS*

PART NUMBER	DESCRIPTION	RANGE/NOMINAL SIZE (MM)	CONNECTION THREADS
417018	TEST PLUG, 1/2" FLOW-THROUGH BYPASS ADAPTER KIT	1/2" BYPASS	1/4"
417028	TEST PLUG, 2" FLOW-THROUGH BYPASS ADAPTER KIT	50 MM (2") BYPASS	1/4"
417038	TEST PLUG, 3" FLOW-THROUGH BYPASS ADAPTER KIT	75 MM (3") BYPASS	1/2"
417048	TEST PLUG, 4" FLOW-THROUGH BYPASS ADAPTER KIT	100 MM (4") BYPASS	1/2"
417068	TEST PLUG, 6" FLOW-THROUGH BYPASS ADAPTER KIT	150 MM (6") BYPASS	1/2"

** Consult back pressure table below.

*Add the prefix "M" to the beginning of the part number for a Male quick disconnect inflation port. Add the prefix "S" to the beginning of the part number for a Schrader valve inflation port

i2-SERIES BACK PRESSURE CHART

TYPE OF PIPE PLUG	100 200	150 300	200 400	200 500	300 600	400 800	500 1000	600 1200	600 1500
REQ. PRES.	2,5 BAR	2,5 BAR	2,5 BAR	2,5 BAR	2,5 BAR	2,5 BAR	2,5 BAR	1,5 BAR	1,5 BAR
SIZE MM	2,0	-	-	-	-	-	-	-	-
100	2,0	-	-	-	-	-	-	-	-
110	1,9	-	-	-	-	-	-	-	-
125	1,8	-	-	-	-	-	-	-	-
150	1,3	2,0	-	-	-	-	-	-	-
200	0,8	1,7	2,0	2,0	-	-	-	-	-
225	-	1,5	1,9	1,9	-	-	-	-	-
250	-	1,2	1,8	1,8	-	-	-	-	-
275	-	1,0	1,6	1,7	-	-	-	-	-
300	-	0,8	1,4	1,5	2,0	-	-	-	-
350	-	-	1,1	1,3	1,8	-	-	-	-
400	-	-	0,8	1,0	1,7	2,0	-	-	-
450	-	-	-	0,9	1,5	1,9	-	-	-
500	-	-	-	0,8	1,4	1,8	1,9	-	-
550	-	-	-	-	1,1	1,6	1,8	-	-
600	-	-	-	-	0,8	1,4	1,6	1,4	1,4
700	-	-	-	-	-	1,1	1,4	1,3	1,4
800	-	-	-	-	-	0,8	1,2	1,2	1,3
900	-	-	-	-	-	-	1,0	1,1	1,3
1000	-	-	-	-	-	-	0,8	1,0	1,2
1200	-	-	-	-	-	-	-	0,8	1,1
1400	-	-	-	-	-	-	-	-	1,0
1500	-	-	-	-	-	-	-	-	0,8

Can be used safely for the diameters specified

Suitable for use with moderate backpressure

Suitable for use with low or no backpressure

The plug is not suitable for the diameters specified

PLEASE NOTE: Values are indicative in clean concrete pipes. Pipe plugs should be blocked properly under all circumstances. Maximum back pressure when performing air tests: 200 mbar, valid for all pipe diameters.

HIGH-PRESSURE PLUGS

High-Pressure Plug Features:

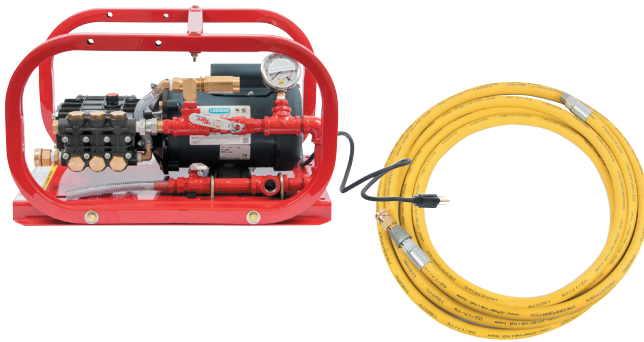
- Multi-size design for use in various pipe diameters
- The rubber and metal is bonded, elimination fears of separation or rolling off resulting from high back pressures
- Optimized design using steel, aramid and natural rubber to ensure longevity and robust construction
- Water must be used to pressurize these plugs due to high working pressure
- Removable and field repairable hardware
- Safety/over-inflation device
- Air is purged from the plug during inflation
- Air is purged from the test area (8"-12" and larger)

HIGH-PRESSURE PLUGS



PART NUMBER	PLUG DESCRIPTION	BYPASS DIAMETER	USAGE RANGE	MAXIMUM BACK PRESSURE	INFLATION PRESSURE	PRODUCT WEIGHT (LBS.)	DEFLATED LENGTH	DEFLATED DIAMETER	EYE BOLTS
511088	100-200 mm (4"-8")	9.5 mm (3/8" M)	96.5-208.3 mm (3.8"-8.2")	10 bar (150 psi)	13.3 bar (200 psi)	3.62 kg (8 lbs)	400 mm (16")	96 mm (3.8")	None
511128	200-300 mm (8"-12")	40 mm (1-1/2" M)	195.6-309.9 mm (7.7"-12.2")	10 bar (150 psi)	13.3 bar (200 psi)	10.89 kg (24 lbs)	600 mm (24")	192 mm (7.7")	1
512168	300-400 mm (12"-16")	50 mm (2" M)	302.3-411.5 mm (11.9"-16.2")	10 bar (150 psi)	13.3 bar (200 psi)	23.59 kg (52 lbs)	600 mm (24")	297.5 mm (11.9")	1
512208	400-500 mm (16"-20")	50 mm (2" M)	386.1-513.1 mm (15.2"-20.2")	10 bar (150 psi)	13.3 bar (200 psi)	41.73 kg (92 lbs)	600 mm (24")	386 mm (15.2")	2
512268	508-660.4 mm (20"-26")	50 mm (2" M)	487.7-665.5 mm (19.2"-26.2")	10 bar (150 psi)	13.3 bar (200 psi)	66.23 kg (146 lbs)	600 mm (24")	480 mm (19.2")	2
512328	660.4-812.8 mm (26"-32")	50 mm (2" M)	655.3-817.9 mm (25.8"-32.2")	10 bar (150 psi)	13.3 bar (200 psi)	168.29 kg (371 lbs)	600 mm (24")	645 mm (25.8")	4

ACCESSORIES



PART NUMBER	DESCRIPTION
276008	Inflation Hose, High Pressure Plug, 90 mm (30'), 1/4" QD, For Use With 100 mm-200 mm to 300 mm-400 mm HP (4"-8" to 12"-16") Plugs
276018	Inflation Hose, High Pressure Plug, 90 mm (30'), 1/2" QD, For Use With 400 mm - 500 mm to 650 mm - 800 mm HP (16"-20" to 26"-32") Plugs
276028	Read Back Hose, High Pressure Plug, 30', 1/4" QD
278198	Hydrostatic Test Pump, Electric
278188	Hydrostatic Test Pump, Manual
064348	0-20 bar (0-300 psi), 62.5 mm (2.5") dial, Liquid Filled Pressure Gauge With Retard Increments to 40 bar (600 psi)
7004574	1/4" Male QD x 1/4" FNPT Fitting

MECHANICAL PLUGS



MECHANICAL PLUGS

- 23 MECHANICAL CLEANOUT PLUGS
- 24 ORIGINAL GRIPPER®
- 25 HUB-FIT GRIPPER® • CLEAN-OUT GRIPPER®
- 25 T-HANDLE GRIPPER®
- 27 IRON GRIP
- 28 ECON-O-GRIP® • PETRO ECON-O-GRIP®
- 29 SURE-GRIP® • KWIK 'N SURE®
- 30 MONITOR-WELL PLUGS
- 31 TEST-KAP™



ORIGINAL GRIPPER®

Cherne's Gripper plugs can be used in a variety of applications including DWV (drain, waste and vent) testing and stack testing. End-of-Pipe design won't fall in, whereas the Inside-of-Pipe design allows you to locate the plug inside the pipe as far as you need. Time tested, the Gripper® remains one of the most popular mechanical plugs on the market.

Original Gripper® Plug Features:

- Ideal for sewer testing and long-term applications
- Made with glass-reinforced ABS plastic
- End-of-pipe design seals only at the end of a pipe
- Inside-of-pipe design seals inside pipe as far as needed

Equipped with:

- Easy-to-install extra large zinc wing nut – won't rust
- Natural rubber O-ring
- Galvanized carriage bolt to prevent corrosion

END-OF-PIPE GRIPPER

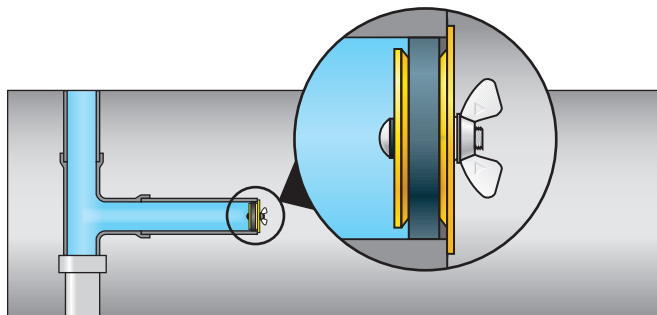


PART NUMBER	NOMINAL SIZE	USAGE RANGE	MAXIMUM BACK PRESSURE		LENGTH	PRODUCT WEIGHT
270210	40 mm (1 1/2")	39-42 mm (1.48"-1.65")	1,2 bar (17 psi)	12 M (40 ft.)	44.5 mm (1.75")	0.05 kg (0.13 lbs)
270229	50 mm (2")	49-55 mm (1.9"-2.17")	1,2 bar (17 psi)	12 M (40 ft.)	47.5 mm (1.87")	0.09 kg (0.19 lbs)
270237	75 mm (3")	71-79 mm (2.8"-3.1")	1,2 bar (17 psi)	12 M (40 ft.)	63.5 mm (2.5")	0.16 kg (0.375 lbs)
270245	100 mm (4")	96-103 mm (3.8"-4.06")	1,2 bar (17 psi)	12 M (40 ft.)	63.5 mm (2.5")	0.23 kg (0.5 lbs)
270261	150 mm (6")	147-154 mm (5.77"-6.08")	1,2 bar (17 psi)	12 M (40 ft.)	95.3 mm (3.75")	1.14 kg (2.5 lbs)
270270	200 mm (8")	196-204 mm (7.7"-8.03")	1,2 bar (17 psi)	12 M (40 ft.)	95.3 mm (3.75")	1.37 kg (3 lbs)

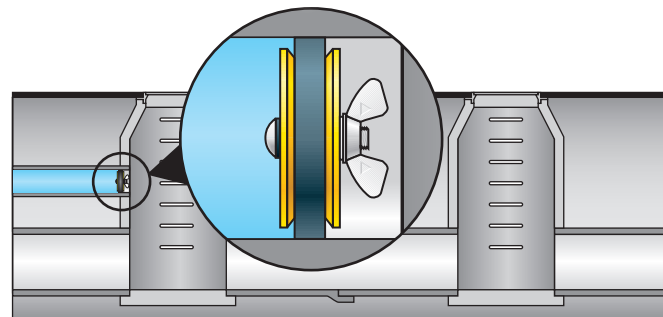
INSIDE-OF-PIPE GRIPPER

PART NUMBER	NOMINAL SIZE	USAGE RANGE	MAXIMUM BACK PRESSURE		LENGTH	PRODUCT WEIGHT
270296	100 mm (4")	96-103 mm (3.8"-4.06")	1,2 bar (17 psi)	12 M (40 ft.)	63.5 mm (2.5")	0.23 kg (.5 lbs)
270253	150 mm (6")	147-154 mm (5.77"-6.08")	1,2 bar (17 psi)	12 M (40 ft.)	95.3 mm (3.75")	1.14 kg (2.5 lbs)
270288	200 mm (8")	196-204 mm (7.7"-8.03")	1,2 bar (17 psi)	12 M (40 ft.)	95.3 mm (3.75")	1.37 kg (3 lbs)

End-of-Pipe Gripper® plug



Inside-of-Pipe Gripper® plug



HUB-FIT GRIPPER® & CLEAN-OUT GRIPPER®



Hub-Fit Gripper® Plug Features:

- Ideal for use in hub fittings and in bell-end pipe
- Pressure rated for conducting DWV tests
- Made with glass-reinforced ABS plastic
- Yellow color for greater visibility in pipe
- Natural rubber O-ring for positive seal
- Galvanized carriage bolt to prevent corrosion
- Easy-to-install, extra large zinc wing nut – won't rust

Clean-Out Gripper® Plug Features:

- Guaranteed to seal most damaged threads
- Made with glass-reinforced ABS plastic
- Black color blends well with cast-iron pipe
- Stainless steel hardware
- NPT sizes, including hard to find 3½"
- Natural rubber threaded O-ring for positive seal

HUB-FIT GRIPPER

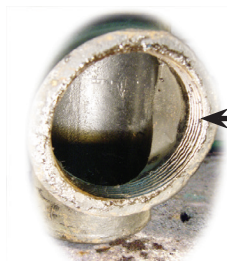


PART NUMBER	NOMINAL SIZE	USAGE RANGE	MAXIMUM BACK PRESSURE	LENGTH	PRODUCT WEIGHT	
270528	50 mm (2")	57-63 mm (2.25"-2.45")	0,9 bar (13 psi)	9 M (30 ft.)	48 mm (1.9")	0.09 kg (3.3 oz)
270538	75 mm (3")	88-90 mm (3.44"-3.53")	0,9 bar (13 psi)	9 M (30 ft.)	61 mm (2.4")	0.27 kg (9.5 oz)
270548	100 mm (4")	112-115 mm (4.41"-4.53")	0,9 bar (13 psi)	9 M (30 ft.)	61 mm (2.4")	0.34 kg (11.9 oz)

CLEAN-OUT GRIPPER



PART NUMBER	NOMINAL SIZE	USAGE RANGE	MAXIMUM BACK PRESSURE	LENGTH	PRODUCT WEIGHT	
270168	50 mm (2")	56-63 mm (2.20"-2.5")	1.1 bar (17 psi)	12 M (40 ft.)	47.5 mm (1.9")	0.07 kg (2.4 oz)
270178	75 mm (3")	82-88 mm (3.23"-3.5")	1.1 bar (17 psi)	12 M (40 ft.)	110 mm (2.2")	0.099 kg (3.5 oz)
270138	87.5 mm (3.5")	96-107 mm (3.78"-4.25")	1.1 bar (17 psi)	12 M (40 ft.)	110 mm (2.2")	0.21 kg (7.5 oz)
270188	100 mm (4")	107-116 mm (4.22"-4.6")	1.1 bar (17 psi)	12 M (40 ft.)	110 mm (2.2")	0.27 kg (9.7 oz)

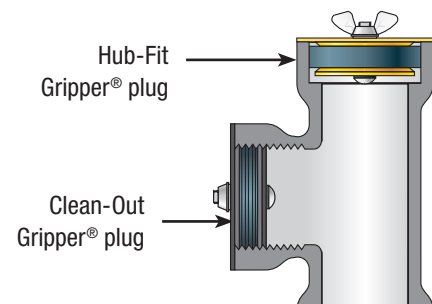


Problem

Bad Threads



Solution



T-HANDLE GRIPPER®

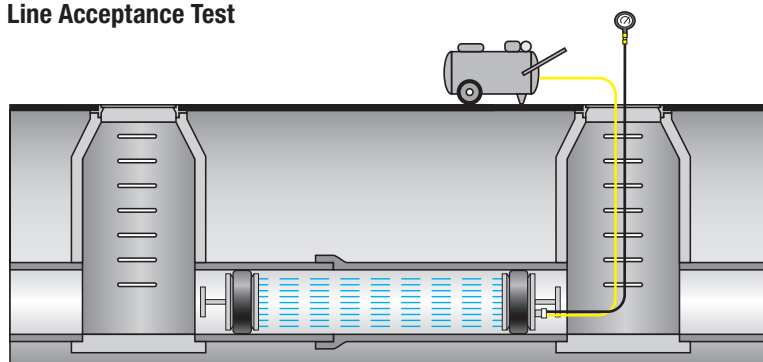
T-Handle Aluminum Gripper® Plug Features:

- Ideal for long term applications
- 6"-12" plugs are sized for concrete, clay, and SDR 26 and 35 pipe
- 15" and 18" plugs are sized for concrete and clay pipe sizes only
- Available with or without bypass
- Can be used for sewer air pressure tests

Equipped with:

- Heavy duty aluminum body and zinc plated steel T-handle
- Chemical resistant neoprene O-ring

Line Acceptance Test



T-HANDLE GRIPPER WITH BYPASS



PART NUMBER	NOMINAL SIZE	USAGE RANGE	MAXIMUM BACK PRESSURE		LENGTH	PRODUCT WEIGHT	BYPASS DIAMETER (NPT)
272949	150 mm (6")	144-160 mm (5.7"-6.3")	0,7 bar (10 psi)	10 M (23 ft.)	247 mm (9.7")	3 kg (6.5 lbs)	6.3 mm (1/4" M)
272957	200 mm (8")	196-211 mm (7.7"-8.3")	0,7 bar (10 psi)	10 M (23 ft.)	247 mm (9.7")	4.3 kg (9.5 lbs)	19.05 mm (3/4" M)
272965	250 mm (10")	248-262 mm (9.8"-10.3")	0,7 bar (10 psi)	10 M (23 ft.)	247 mm (9.7")	5.7 kg (12.5 lbs)	19.05 mm (3/4" M)
272973	300 mm (12")	297-312 mm (11.7"-12.3")	0,7 bar (10 psi)	10 M (23 ft.)	247 mm (9.7")	7.3 kg (16 lbs)	19.05 mm (3/4" M)
272981	380 mm (15")	377-388 mm (14.8"-15.3")	0,7 bar (10 psi)	10 M (23 ft.)	247 mm (9.7")	10.7 kg (24 lbs)	19.05 mm (3/4" M)
272998	460 mm (18")	450-465 mm (17.7"-18.3")	0,61 bar (8.7 psi)	6.1 M (20 ft.)	247 mm (9.7")	14 kg (31 lbs)	19.05 mm (3/4" M)

T-HANDLE GRIPPER

PART NUMBER	NOMINAL SIZE	USAGE RANGE	MAXIMUM BACK PRESSURE		LENGTH	PRODUCT WEIGHT
272892	150 mm (6")	144-160 mm (5.7"-6.3")	0,7 bar (10 psi)	10 M (23 ft.)	247 mm (9.7")	2.7 kg (6 lbs)
272906	200 mm (8")	196-211 mm (7.7"-8.3")	0,7 bar (10 psi)	10 M (23 ft.)	247 mm (9.7")	4.1 kg (9 lbs)
272914	250 mm (10")	248-262 mm (9.8"-10.3")	0,7 bar (10 psi)	10 M (23 ft.)	247 mm (9.7")	5.4 kg (12 lbs)
272922	300 mm (12")	297-312 mm (11.7"-12.3")	0,7 bar (10 psi)	10 M (23 ft.)	247 mm (9.7")	7 kg (15.5 lbs)
272930	380 mm (15")	377-388 mm (14.8"-15.3")	0,7 bar (10 psi)	10 M (23 ft.)	247 mm (9.7")	10.4 kg (23 lbs)
272888	460 mm (18")	450-465 mm (17.7"-18.3")	0,7 bar (10 psi)	6.1 M (20 ft.)	247 mm (9.7")	13.6 kg (30 lbs)

ALWAYS BLOCK PLUGS WHEN CONDUCTING AIR TESTS.

IRON GRIP



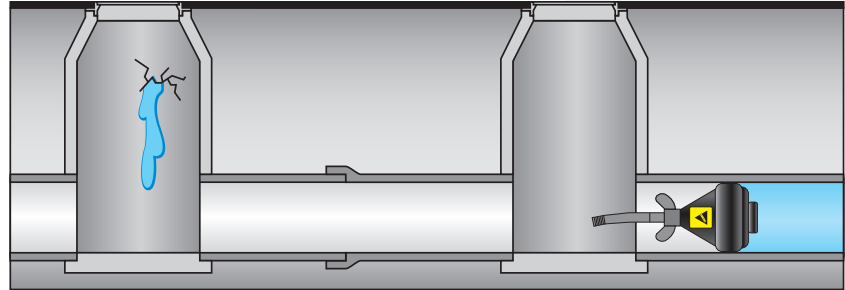
Iron Grip Bypass Mechanical Plug Features:

- Easy, tool-free installation
- For permanent or temporary use
- For use in blocking or bypass applications
- Cast-iron design

Equipped with:

- Large installation wing-nut
- Natural rubber O-ring

Blocking Flow



IRON GRIP



PART NUMBER	NOMINAL SIZE	USAGE RANGE	MAXIMUM BACK PRESSURE		LENGTH	PRODUCT WEIGHT	BYPASS DIAMETER (NPT)
268028	50 mm (2")	49-54 mm (1.94"-2.12")	0,9 bar (13 psi)	9,1 M (30 ft.)	248 mm (9.75")	.5 kg (1.1 lbs)	9.5 mm (3/8" M)
268038	75 mm (3")	75-80 mm (2.82"-3.12")	0,76 bar (11 psi)	7.6 M (25 ft.)	324 mm (12.75")	1.1 kg (2.3 lbs)	12.7 mm (1/2" M)
268048	100 mm (4")	92-103 mm (3.6"-4.06")	0,61 bar (8.7 psi)	6.1 M (20 ft.)	324 mm (12.75")	1.4 kg (3.1 lbs)	12.7 mm (1/2" M)
268068	150 mm (6")	142-155 mm (5.57"-6.12")	0,30 bar (4.3 psi)	3 M (10 ft.)	324 mm (12.75")	2.5 kg (5.6 lbs)	12.7 mm (1/2" M)
268088	200 mm (8")	196-208 mm (7.72"-8.2")	0,30 bar (4.3 psi)	3 M (10 ft.)	432 mm (17")	5.9 kg (11.5 lbs)	12.7 mm (1/2" M)
268108	250 mm (10")	249-260 mm (9.8"-10.2")	0,24 bar (3.5 psi)	2.4 M (8 ft.)	432 mm (17")	9.0 kg (20 lbs)	12.7 mm (1/2" M)
268128	300 mm (12")	294-310 mm (11.56"-12.2")	0,18 bar (2.6 psi)	1.8 M (6 ft.)	500 mm (19.5")	12.8 kg (28 lbs)	25 mm (1" M)

ALWAYS BLOCK PLUGS WHEN CONDUCTING AIR TESTS.

ECON-O-GRIP® & PETRO ECON-O-GRIP®

Econ-O-Grip® Plug Features:

- Cost effective method for plugging open-ended pipe
- Works well as a pipe dust cover

Equipped with:

- Galvanized metal plates and bolts
- Natural rubber O-ring

Petro Econ-O-Grip® Plug Features:

- Cost effective, chemical-resistant plug
- Works well as a pipe dust cover

Equipped with:

- Stainless-steel bolt and plate
- Chemical resistant nitrile rubber

ECONO-O-GRIP



PART NUMBER	NOMINAL SIZE	USAGE RANGE	MAXIMUM BACK PRESSURE		LENGTH	PRODUCT WEIGHT
			bar	psi		
271519	40 mm (1.5")	37-42 mm (1.44"-1.65")	0,14	2	65 mm (2.56")	0.1 kg (3.5 oz)
271527	50 mm (2")	50-57 mm (1.96"-2.25")	0,14	2	67 mm (2.62")	0.14 kg (5 oz)
271535	75 mm (3")	73-82 mm (2.86"-3.25")	0,14	2	67 mm (2.64")	0.24 kg (8.5 oz)
271543	100 mm (4")	96-114 mm (3.78"-4.5")	0,14	2	82 mm (3.25")	0.35 kg (12.48 oz)
271551	125 mm (5")	117-135 mm (4.62"-5.3")	0,07	1	90 mm (3.55")	0.5 kg (1.1 lbs)
271578	150 mm (6")	143-162 mm (5.62"-6.4")	0,07	1	81 mm (3.19")	0.7 kg (1.6 lbs)

PETRO ECONO-O-GRIP



PART NUMBER	NOMINAL SIZE	USAGE RANGE	MAXIMUM BACK PRESSURE		LENGTH	PRODUCT WEIGHT
			bar	psi		
273318	40 mm (1.5")	37-42 mm (1.44"-1.65")	0,14	2	65 mm (2.56")	0.1 kg (3.5 oz)
273328	50 mm (2")	50-57 mm (1.96"-2.25")	0,14	2	67 mm (2.62")	0.14 kg (5 oz)
273338	75 mm (3")	73-82 mm (2.86"-3.25")	0,14	2	67 mm (2.64")	0.24 kg (8.5 oz)
273348	100 mm (4")	96-109 mm (3.78"-4.3")	0,14	2	82 mm (3.25")	0.35 kg (12.48 oz)
273358	125 mm (5")	117-135 mm (4.62"-5.3")	0,07	1	90 mm (3.55")	0.5 kg (1.1 lbs)
273368	150 mm (6")	143-162 mm (5.62"-6.4")	0,07	1	81 mm (3.19")	0.7 kg (1.6 lbs)

ALWAYS BLOCK PLUGS WHEN CONDUCTING AIR TESTS.

SURE-GRIP® & KWIK 'N SURE®



Sure-Grip® Plug Features:

- Polypropylene construction
- Fits all types of pipe at nominal sizes
- Permanent or temporary use

Equipped with:

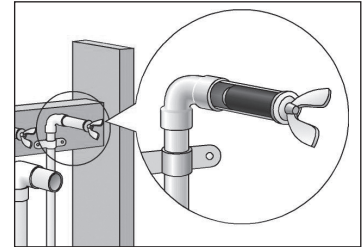
- Natural rubber O-ring
- Can be tapped for use with cleanout cover

Kwik 'N Sure® Plug Features:

- Works in all types of pipe
- Ideal for plugging water line stub-outs
- Designed for high pressure applications

Equipped with:

- Natural rubber O-ring
- Wing nut on the 9.9 mm-31.7 mm (.39"-1.25") sizes
- Hex nut on the 38 mm-125 mm (1.5"-5") sizes



SURE-GRIP



PART NUMBER	NOMINAL SIZE	USAGE RANGE	MAXIMUM BACK PRESSURE		LENGTH	PRODUCT WEIGHT
271158	40 mm (1.5")	40-42 mm (1.48"-1.63")	1,5 bar (22 psi)	15 M (50 ft.)	64 mm (2.5")	0.7 kg (1.6 oz)
271208	50 mm (2")	48-53 mm (1.89"-2.09")	1,5 bar (22 psi)	15 M (50 ft.)	75 mm (3")	.068 kg (2.4 oz)
271308	75 mm (3")	73-79 mm (2.89"-3.09")	0,9 bar (13 psi)	9 M (30 ft.)	94 mm (3.7")	.14 kg (4.9 oz)
271408	100 mm (4")	98-103 mm (3.87"-4.09")	0,9 bar (13 psi)	9 M (30 ft.)	87 mm (3.5")	.19 kg (6.8 oz)

SCHEDULE 40 SURE-GRIP



PART NUMBER	NOMINAL SIZE	USAGE RANGE	MAXIMUM BACK PRESSURE		LENGTH	PRODUCT WEIGHT
271228	50 mm (2")	50.8-53.8 mm (2.00"-2.12")	1,5 bar (22 psi)	15 M (50 ft.)	75 mm (3")	.068 kg (2.4 oz)
271338	75 mm (3")	75.69-79.25 mm (2.98"-3.12")	0,9 bar (13 psi)	9 M (30 ft.)	94 mm (3.7")	.14 kg (4.9 oz)
271448	100 mm (4")	99.57-103.63 mm (3.92"-4.08")	0,9 bar (13 psi)	9 M (30 ft.)	87 mm (3.5")	.19 kg (6.8 oz)

KWIK 'N SURE



PART NUMBER	NOMINAL SIZE	USAGE RANGE	MAXIMUM BACK PRESSURE		LENGTH	PRODUCT WEIGHT
269832	10 mm (0.39")	10-11 mm (0.38"-0.43")	12,8 bar (185 psi)	128 M (428 ft.)	48 mm (1.87")	0.03 kg (1 oz)
269840	13 mm (0.5")	13-14 mm (0.5"-0.56")	12,4 bar (180 psi)	124 M (415 ft.)	48 mm (1.87")	0.04 kg (1.5 oz)
269867	20 mm (0.75")	18-22 mm (0.72"-0.87")	12,4 bar (180 psi)	124 M (415 ft.)	52 mm (2.06")	0.05 kg (1.6 oz)
269875	25 mm (1")	22-26 mm (0.86"-1.02")	2,8 bar (40 psi)	28 M (92 ft.)	55 mm (2.18")	0.05 kg (1.9 oz)
269883	32 mm (1.25")	32-36 mm (1.24"-1.43")	7,7 bar (112 psi)	77 M (258 ft.)	52 mm (2.06")	0.07 kg (3 oz)
269891	40 mm (1.5")	36-39 mm (1.43"-1.53")	6,1 bar (88 psi)	62 M (203 ft.)	48 mm (1.87")	0.08 kg (3.4 oz)
269905	50 mm (2")	44-52 mm (1.73"-2.06")	7,7 bar (112 psi)	77 M (258 ft.)	67 mm (2.63")	0.2 kg (7 oz)
269913	60 mm (2.5")	58-71 mm (2.3"-2.78")	4,9 bar (72 psi)	51 M (166 ft.)	70 mm (2.75")	0.3 kg (12 oz)
269921	75 mm (3")	69-81 mm (2.73"-3.2")	1,9 bar (28 psi)	19 M (65 ft.)	79 mm (3.12")	0.68 kg (1.5 lbs)
269948	100 mm (4")	95-114 mm (3.72"-4.5")	1,7 bar (24 psi)	17 M (55 ft.)	79 mm (3.12")	1.2 kg (2.6 lbs)
269956	125 mm (5")	122-132 mm (4.8"-5.19")	0,6 bar (8 psi)	6 M (18 ft.)	82 mm (3.25")	1 kg (2.25 lbs)

ALWAYS BLOCK PLUGS WHEN CONDUCTING AIR TESTS.

MONITOR-WELL PLUGS

Monitor-Well Locking Plug Features:

- Designed to seal monitor wells
- Meets all EPA requirements for locking plugs
- Sized to seal Schedule 40 piping
- 2" and 4" sizes can also seal Schedule 5 pipe
- Works with Cherne's solid brass padlock or #2 Masterlock® padlock

Equipped with:

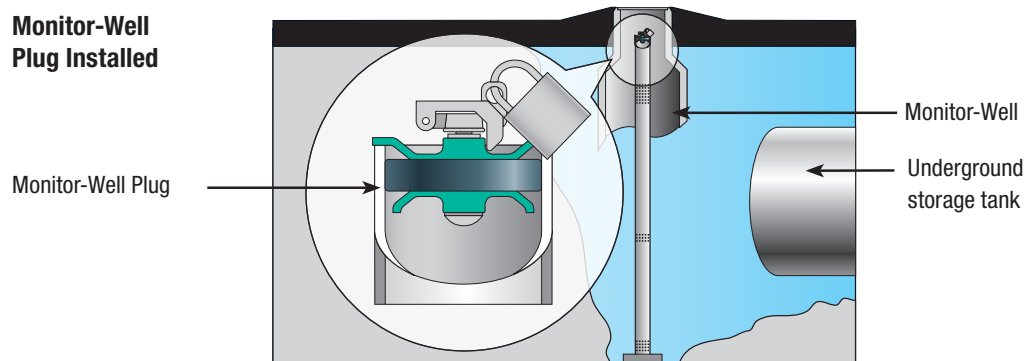
- Chemical and petroleum-resistant Estaloc™ plastic top and bottom plates
- Petroleum resistant nitrile O-ring
- Stainless steel carriage bolt
- Yellow chromate-coated locking latch

MONITOR-WELL



PART NUMBER	NOMINAL SIZE	USAGE RANGE	MAXIMUM BACK PRESSURE		LENGTH	PRODUCT WEIGHT
271648	25-30 mm (1"-1.25")	25-35 mm (1"-1.38")	0,45 bar (6.5 psi)	4,5 M (15 ft.)	64 mm (2.5")	0.14 kg (4.7 oz)
271675	50 mm (2")	49-59 mm (1.9"-2.31")	0,45 bar (6.5 psi)	4,5 M (15 ft.)	64 mm (2.5")	0.13 kg (4.5 oz)
271669	75 mm (3")	71-79 mm (2.8"-3.1")	0,45 bar (6.5 psi)	4,5 M (15 ft.)	66 mm (2.6")	0.21 kg (7.5 oz)
271683	100 mm (4")	97-111 mm (3.8"-4.38")	0,45 bar (6.5 psi)	4,5 M (15 ft.)	76 mm (3.0")	0.35 kg (12.5 oz)
271691	150 mm (6")	147-155 mm (5.77"-6.08")	0,45 bar (6.5 psi)	4,5 M (15 ft.)	101 mm (3.98")	0.91 kg (2 lbs)
271735	200 mm (8")	197-204 mm (7.76"-8.03")	0,45 bar (6.5 psi)	4,5 M (15 ft.)	101 mm (3.98")	1.22 kg (3 lbs)
112941	Dolphin Padlock (All padlocks keyed alike)					
002608	2" Monitor Well Plug Latch					
002618	3" & 4" Monitor Well Plug Latch					
008188	6" & 8" Monitor Well Plug Latch					

Monitor-Well Plug Installed



TEST-KAP™



Test-Kap™ Features:

- Made of flexible PVC
- Stainless steel hose clamp – will not rust
- Can be used on plastic, steel, copper, and cast iron pipe

TEST-KAP



PART NUMBER	NOMINAL SIZE	MAXIMUM BACK PRESSURE	
270725	40 mm (1.5")	0.89 bar (13 psi)	9.1 M (30 ft.)
270733	50 mm (2")	0.89 bar (13 psi)	9.1 M (30 ft.)
270741	75 mm (3")	0.89 bar (13 psi)	9.1 M (30 ft.)
270768	100 mm (4")	0.89 bar (13 psi)	9.1 M (30 ft.)
270776	125 mm (5")	0.89 bar (13 psi)	9.1 M (30 ft.)
270784	150 mm (6")	0.89 bar (13 psi)	9.1 M (30 ft.)

ALWAYS BLOCK PLUGS WHEN CONDUCTING AIR TESTS.

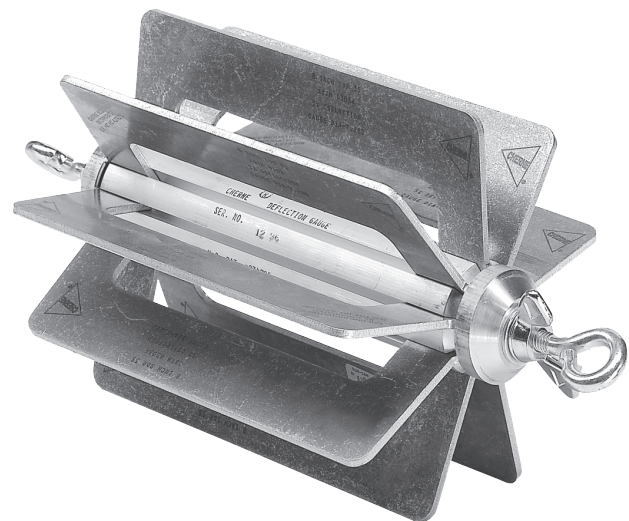
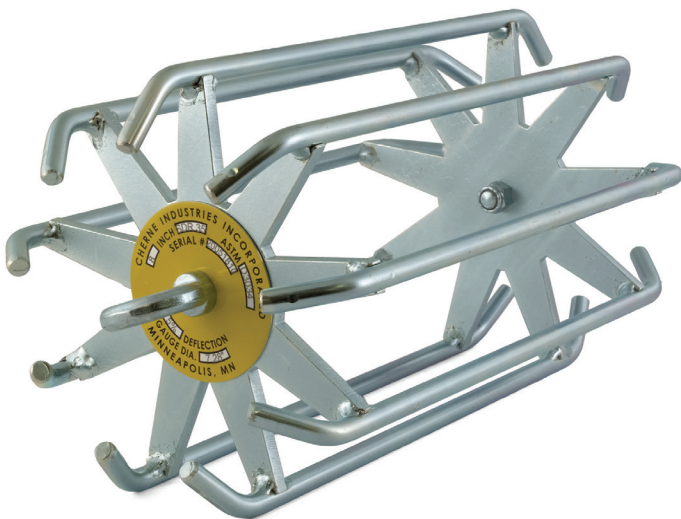


DEFLECTION GAUGES



DEFLECTION GAUGES

- 34 FIXED STEEL DEFLECTION GAUGES
- 36 ALUMINUM DEFLECTION GAUGE KITS
- 37 ALUMINUM DEFLECTION GAUGE FIN SETS
- 39 CORE MANDRELS • PROVING RINGS



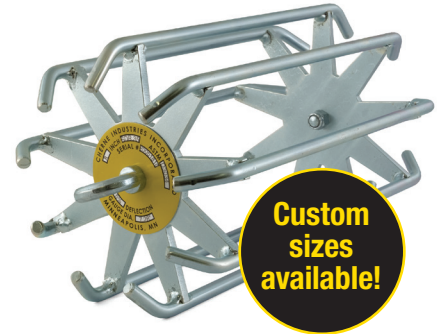
FIXED STEEL DEFLECTION GAUGES

Deflection Gauges (mandrels) are used to test flexible sewer pipe for out-of-roundness or deflection per ASTM specifications D3034 and F679. This testing ensures that flexible pipe has been properly bedded and backfilled (ASTM D2321) to give optimal performance.

Other gauges can get hung up – causing a deflection test to fail, even though the pipe is within tolerance. Sized to .02", steel deflection gauge styles meet ASTM requirements.

Fixed Steel Style Deflection Gauge Features:

- Durable, zinc-plated construction resists corrosion
- Conforms to mandrel sizing specifications – blade length is equal to or greater than the nominal pipe size
- Nine-arm design ensures testing accuracy
- Open design allows gravel and debris pass-through



5% FIXED STEEL DEFLECTION GAUGES

DEFLECTION GAUGES FOR SDR-35 PIPE PER ASTM D3034 (4" – 15" DIA.)

PART NUMBER	NOMINAL SIZE	AVERAGE PIPE I.D.	BASE PIPE I.D.*	PIPE I.D. @ DEFL.	PRODUCT WT.
286568	152.40 mm (6")	149.68 mm (5.893")	145.85 mm (5.742")	138.68 mm (5.46")	2.27 kg (5.0 lbs)
286578	203.20 mm (8")	200.43 mm (7.891")	194.69 mm (7.665")	184.91 mm (7.28")	3.18 kg (7.0 lbs)
286588	254.00 mm (10")	250.55 mm (9.864")	242.90 mm (9.563")	230.89 mm (9.09")	3.63 kg (8.0 lbs)
286598	304.80 mm (12")	298.12 mm (11.737")	288.54 mm (11.360")	274.07 mm (10.79")	4.08 kg (9.0 lbs)
286608	381.00 mm (15")	365.10 mm (14.374")	352.98 mm (13.897")	335.28 mm (13.20")	612 kg (13.5 lbs)

DEFLECTION GAUGES FOR SDR-26 PIPE PER ASTM D3034 (4" – 15" DIA.)

PART NUMBER	NOMINAL SIZE	AVERAGE PIPE I.D.	BASE PIPE I.D.*	PIPE I.D. @ DEFL.	PRODUCT WT.
286648	152.40 mm (6")	146.41 mm (5.764")	142.54 mm (5.612")	135.38 mm (5.33")	2.27 kg (5.0 lbs)
286658	203.20 mm (8")	195.96 mm (7.715")	190.20 mm (7.488")	180.59 mm (7.11")	3.18 kg (7.0 lbs)
286668	254.00 mm (10")	244.96 mm (9.644")	237.29 mm (9.342")	225.30 mm (8.87")	3.63 kg (8.0 lbs)
286678	304.80 mm (12")	291.59 mm (11.480")	281.99 mm (11.102")	267.97 mm (10.55")	4.08 kg (9.0 lbs)
286688	381.00 mm (15")	356.95 mm (14.053")	344.81 mm (13.575")	327.66 mm (12.90")	612 kg (13.5 lbs)

DEFLECTION GAUGES FOR PS 46 (SDR-35) PIPE PER ASTM F679 (18" – 48" DIA.)

PART NUMBER	NOMINAL SIZE	AVERAGE PIPE I.D.	BASE PIPE I.D.*	PIPE I.D. @ DEFL.	PRODUCT WT.
286618	457.20 mm (18")	448.13 mm (17.643")	433.17 mm (17.054")	411.48 mm (16.20")	6.8 kg (15.0 lbs)
286628	533.40 mm (21")	528.32 mm (20.800")	510.49 mm (20.098")	484.89 mm (19.09")	8.16 kg (18.0 lbs)
286638	609.60 mm (24")	594.41 mm (23.402")	573.68 mm (22.586")	545.08 mm (21.46")	9.53 kg (21.0 lbs)

DEFLECTION GAUGES FOR PS 115 (SDR-26) PIPE PER ASTM F679 (18" – 48" DIA.)

PART NUMBER	NOMINAL SIZE	AVERAGE PIPE I.D.	BASE PIPE I.D.*	PIPE I.D. @ DEFL.	PRODUCT WT.
286698	457.20 mm (18")	438.86 mm (17.278")	423.87 mm (16.688")	402.59 mm (15.85")	6.8 kg (15.0 lbs)
286708	533.40 mm (21")	517.40 mm (20.370")	499.52 mm (19.666")	474.47 mm (18.68")	8.16 kg (18.0 lbs)
286718	609.60 mm (24")	582.12 mm (22.918")	561.39 mm (22.102")	533.40 mm (21.00")	9.53 kg (21.0 lbs)



7.5% FIXED STEEL DEFLECTION GAUGES

DEFLECTION GAUGES FOR SDR-35 PIPE PER ASTM D3034 (4" – 15" DIA.)

PART NUMBER	NOMINAL SIZE	AVERAGE PIPE I.D.	BASE PIPE I.D.*	PIPE I.D. @ DEFL.	PRODUCT WT.
286728	152.40 mm (6")	149.68 mm (5.893")	145.85 mm (5.742")	134.90 mm (5.31")	2.27 kg (5.0 lbs)
286738	203.20 mm (8")	200.43 mm (7.891")	194.69 mm (7.665")	180.10 mm (7.09")	3.18 kg (7.0 lbs)
286748	254.00 mm (10")	250.55 mm (9.864")	242.90 mm (9.563")	224.80 mm (8.85")	3.63 kg (8.0 lbs)
286758	304.80 mm (12")	298.12 mm (11.737")	288.54 mm (11.360")	267.00 mm (10.51")	4.08 kg (9.0 lbs)
286768	381.00 mm (15")	365.10 mm (14.374")	352.98 mm (13.897")	326.40 mm (12.85")	612 kg (13.5 lbs)

DEFLECTION GAUGES FOR SDR-26 PIPE PER ASTM D3034 (4" – 15" DIA.)

PART NUMBER	NOMINAL SIZE	AVERAGE PIPE I.D.	BASE PIPE I.D.*	PIPE I.D. @ DEFL.	PRODUCT WT.
286808	152.40 mm (6")	146.41 mm (5.764")	142.54 mm (5.612")	131.80 mm (5.19")	2.27 kg (5.0 lbs)
286818	203.20 mm (8")	195.96 mm (7.715")	190.20 mm (7.488")	176.00 mm (6.93")	3.18 kg (7.0 lbs)
286828	254.00 mm (10")	244.96 mm (9.644")	237.29 mm (9.342")	219.50 mm (8.64")	3.63 kg (8.0 lbs)
286838	304.80 mm (12")	291.59 mm (11.480")	281.99 mm (11.102")	260.90 mm (10.27")	4.08 kg (9.0 lbs)
286848	381.00 mm (15")	356.95 mm (14.053")	344.81 mm (13.575")	319.00 mm (12.56")	612 kg (13.5 lbs)

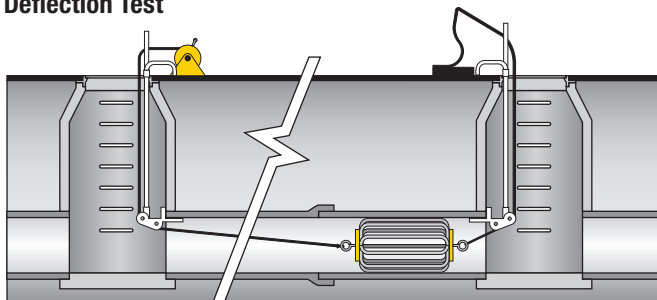
DEFLECTION GAUGES FOR PS 46 (SDR-35) PIPE PER ASTM F679 (18" – 48" DIA.)

PART NUMBER	NOMINAL SIZE	AVERAGE PIPE I.D.	BASE PIPE I.D.*	PIPE I.D. @ DEFL.	PRODUCT WT.
286778	457.20 mm (18")	448.13 mm (17.643")	433.17 mm (17.054")	400.56 mm (15.77")	6.8 kg (15.0 lbs)
286788	533.40 mm (21")	528.32 mm (20.800")	510.49 mm (20.098")	472.19 mm (18.59")	8.16 kg (18.0 lbs)
286798	609.60 mm (24")	594.41 mm (23.402")	573.68 mm (22.586")	530.61 mm (20.89")	9.53 kg (21.0 lbs)

DEFLECTION GAUGES FOR PS 115 (SDR-26) PIPE PER ASTM F679 (18" – 48" DIA.)

PART NUMBER	NOMINAL SIZE	AVERAGE PIPE I.D.	BASE PIPE I.D.*	PIPE I.D. @ DEFL.	PRODUCT WT.
286858	457.20 mm (18")	438.86 mm (17.278")	423.87 mm (16.688")	392.18 mm (15.44")	6.8 kg (15.0 lbs)
286868	533.40 mm (21")	517.40 mm (20.370")	499.52 mm (19.666")	462.03 mm (18.19")	8.16 kg (18.0 lbs)
286878	609.60 mm (24")	582.12 mm (22.918")	561.39 mm (22.102")	519.18 mm (20.44")	9.53 kg (21.0 lbs)

Deflection Test



PS 46 closely relates to SDR 35 and PS 115 closely relates to SDR 26
 *Base inside diameter (Base Pipe I.D.) allows for out of roundness and wall thickness tolerances as defined by ASTM standards.
 For sizing and pricing contact Customer Service at chernesupport@oatey.com or 800-321-9532.

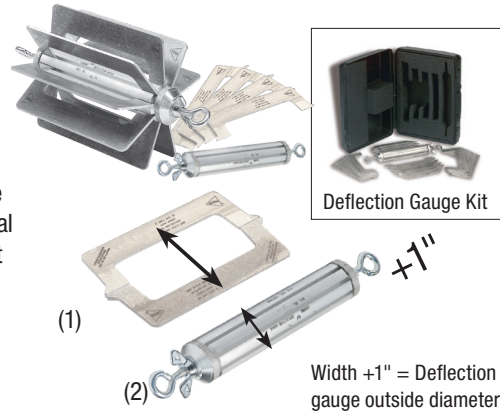
ALUMINUM DEFLECTION GAUGE KITS

Field Verification:

Cherne's Aluminum Fin Style Deflection Gauges are designed to be field verified by inspectors without the use of a proving ring. Simply place two fins end-to-end as pictured below (1) and measure the width. Add one inch to the mandrel (2) and you have the outside dimension of the gauge. Using this method simplifies the inspector's job of verifying sizes on deflection gauges.

Aluminum Fin Style Deflection Gauge Features:

- Lightweight, corrosion-resistant
- Field-verifiable without a proving ring
- Assembles without tools
- All sizes fit through standard 24" manhole
- Fins for 4" -15" gauges have skid size equal to the nominal pipe size – gauge will meet regional codes and will not tip in the line
- Nine-fin design ensures testing accuracy
- Open design allows gravel and debris pass-through



5% ALUMINUM FIN SET DEFLECTION GAUGE KITS (FIN SETS, CORE MANDREL AND CARRYING CASE)

KITS FOR SDR 26 PIPE PER ASTM D3034					
PART NUMBER	NOMINAL SIZE	AVERAGE PIPE I.D.	BASE PIPE I.D.*	PIPE I.D. @ DEFL.	PRODUCT WT.
285688	152.40 mm (6")	146.41 mm (5.764")	142.54 mm (5.612")	135.38 mm (5.33")	8.16 kg (18 lbs)
	203.20 mm (8")	195.96 mm (7.715")	190.20 mm (7.488")	180.59 mm (7.11")	
	254.00 mm (10")	244.96 mm (9.644")	237.29 mm (9.342")	225.30 mm (8.87")	
285698	203.20 mm (8")	195.96 mm (7.715")	190.20 mm (7.488")	7.11" (180.59 mm)	8.61 kg (19 lbs)
	254.00 mm (10")	244.96 mm (9.644")	237.29 mm (9.342")	2 25.30 mm (8.87")	
	304.80 mm (12")	291.59 mm (11.480")	281.99 mm (11.102")	267.97 mm (10.55")	

KITS FOR SDR 35 PIPE PER ASTM D3034					
PART NUMBER	NOMINAL SIZE	AVERAGE PIPE I.D.	BASE PIPE I.D.*	PIPE I.D. @ DEFL.	PRODUCT WT.
285005	152.40 mm (6")	149.68 mm (5.893")	145.85 mm (5.742")	138.68 mm (5.46")	8.16 kg (18 lbs)
	203.20 mm (8")	200.43 mm (7.891")	194.69 mm (7.665")	184.91 mm (7.28")	
	254.00 mm (10")	250.55 mm (9.864")	242.90 mm (9.563")	230.89 mm (9.09")	
285021	203.20 mm (8")	200.43 mm (7.891")	194.69 mm (7.665")	184.91 mm (7.28")	8.61 kg (19 lbs)
	254.00 mm (10")	250.55 mm (9.864")	9.563" (242.90 mm)	230.89 mm (9.09")	
	304.80 mm (12")	298.12 mm (11.737")	288.54 mm (11.360")	274.07 mm (10.79")	

7.5% ALUMINUM FIN SET DEFLECTION GAUGE KITS (FIN SETS, CORE MANDREL AND CARRYING CASE)

KITS FOR SDR 26 PIPE PER ASTM D3034					
PART NUMBER	NOMINAL SIZE	AVERAGE PIPE I.D.	BASE PIPE I.D.*	PIPE I.D. @ DEFL.	PRODUCT WT.
285798	152.40 mm (6")	146.41 mm (5.764")	142.54 mm (5.612")	131.80 mm (5.19")	8.16 kg (18 lbs)
	203.20 mm (8")	195.96 mm (7.715")	190.20 mm (7.488")	176.00 mm (6.93")	
	254.00 mm (10")	244.96 mm (9.644")	237.29 mm (9.342")	219.50 mm (8.64")	
285808	203.20 mm (8")	195.96 mm (7.715")	190.20 mm (7.488")	176.00 mm (6.93")	8.61 kg (19 lbs)
	254.00 mm (10")	244.96 mm (9.644")	237.29 mm (9.342")	219.50 mm (8.64")	
	304.80 mm (12")	291.59 mm (11.480")	281.99 mm (11.102")	260.90 mm (10.27")	

KITS FOR SDR 35 PIPE PER ASTM D3034					
PART NUMBER	NOMINAL SIZE	AVERAGE PIPE I.D.	BASE PIPE I.D.*	PIPE I.D. @ DEFL.	PRODUCT WT.
285013	152.40 mm (6")	149.68 mm (5.893")	145.85 mm (5.742")	134.90 mm (5.31")	8.16 kg (18 lbs)
	203.20 mm (8")	200.43 mm (7.891")	194.69 mm (7.665")	180.10 mm (7.09")	
	254.00 mm (10")	298.12 mm (11.737")	288.54 mm (11.360")	267.00 mm (10.51")	
285048	203.20 mm (8")	200.43 mm (7.891")	194.69 mm (7.665")	180.10 mm (7.09")	8.61 kg (19 lbs)
	254.00 mm (10")	250.55 mm (9.864")	9.563" (242.90 mm)	224.80 mm (8.85")	
	304.80 mm (12")	298.12 mm (11.737")	288.54 mm (11.360")	267.00 mm (10.51")	

Base inside diameter (Base Pipe I.D.) allows for out of roundness and wall thickness tolerances as defined by ASTM standards.

ALUMINUM DEFLECTION GAUGE FIN SETS



5% DEFLECTION ALUMINUM FIN SETS

ALUMINUM FIN SETS FOR SDR-35 PIPE PER ASTM D3034 (4"-15" DIA.)

PART NUMBER	NOMINAL SIZE	AVERAGE PIPE I.D.	BASE PIPE I.D.*	PIPE I.D. @ DEFL.	PRODUCT WT.
285056	101.60 mm (4")	NA	NA	93.88 mm (3.696")	0.68 kg (1.5 lbs)
285072	152.40 mm (6")	149.68 mm (5.893")	145.85 mm (5.742")	138.68 mm (5.46")	0.9072 kg (2.0 lbs)
285080	203.20 mm (8")	200.43 mm (7.891")	194.69 mm (7.665")	184.91 mm (7.28")	1.13 kg (2.5 lbs)
285099	254.00 mm (10")	250.55 mm (9.864")	242.90 mm (9.563")	230.89 mm (9.09")	1.36 kg (3.0 lbs)
285102	304.80 mm (12")	298.12 mm (11.737")	288.54 mm (11.360")	274.07 mm (10.79")	1.81 kg (4.0 lbs)
285110	381.00 mm (15")	365.10 mm (14.374")	352.98 mm (13.897")	335.28 mm (13.20")	2.27 kg (5.0 lbs)

ALUMINUM FIN SETS FOR SDR-26 PIPE PER ASTM D3034 (4"-15" DIA.)

PART NUMBER	NOMINAL SIZE	AVERAGE PIPE I.D.	BASE PIPE I.D.*	PIPE I.D. @ DEFL.	PRODUCT WT.
Custom	101.60 mm (4")	NA	NA	Consult Factory	0.68 kg (1.5 lbs)
285638	152.40 mm (6")	146.41 mm (5.764")	142.54 mm (5.612")	135.38 mm (5.33")	0.9072 kg (2.0 lbs)
285648	203.20 mm (8")	195.96 mm (7.715")	190.20 mm (7.488")	180.59 mm (7.11")	1.13 kg (2.5 lbs)
285658	254.00 mm (10")	244.96 mm (9.644")	237.29 mm (9.342")	225.30 mm (8.87")	1.36 kg (3.0 lbs)
285668	304.80 mm (12")	291.59 mm (11.480")	281.99 mm (11.102")	267.97 mm (10.55")	1.81 kg (4.0 lbs)
285678	381.00 mm (15")	356.95 mm (14.053")	344.81 mm (13.575")	327.66 mm (12.90")	2.27 kg (5.0 lbs)

ALUMINUM FIN SETS FOR PS 46 (SDR-35) PIPE PER ASTM F679 (18"-48" DIA.)

PART NUMBER	NOMINAL SIZE	AVERAGE PIPE I.D.	BASE PIPE I.D.*	PIPE I.D. @ DEFL.	PRODUCT WT.
285536	457.20 mm (18")	448.13 mm (17.643")	433.17 mm (17.054")	411.48 mm (16.20")	3.63 kg (8.0 lbs)
285544	533.40 mm (21")	528.32 mm (20.800")	510.49 mm (20.098")	484.89 mm (19.09")	4.53 kg (10.0 lbs)
285552	609.60 mm (24")	594.41 mm (23.402")	573.68 mm (22.586")	545.08 mm (21.46")	4.99 kg (11.0 lbs)
285595	685.80 mm (27")	669.90 mm (26.374")	646.33 mm (25.446")	613.92 mm (24.17")	5.44 kg (12.0 lbs)
285748	762.00 mm (30" CIOD)	766.88 mm (30.192")	740.44 mm (29.151")	703.33 mm (27.69")	5.90 kg (13.0 lbs)
285758	914.40 mm (36" CIOD)	917.83 mm (36.135")	885.67 mm (34.869")	841.50 mm (33.13")	6.80 kg (15.0 lbs)
285768	1066.80 mm (42" CIOD)	1066.39 mm (41.984")	1028.47 mm (40.491")	977.14 mm (38.47")	7.71 kg (17.0 lbs)
285788	1219.20 mm (48" CIOD)	1217.35 mm (47.927")	1173.71 mm (46.209")	1115.06 mm (43.90")	8.62 kg (19.0 lbs)

ALUMINUM FIN SETS FOR PS 115 (SDR-26) PIPE PER ASTM F679 (18"-48" DIA.)

PART NUMBER	NOMINAL SIZE	AVERAGE PIPE I.D.	BASE PIPE I.D.*	PIPE I.D. @ DEFL.	PRODUCT WT.
284688	457.20 mm (18")	438.86 mm (17.278")	423.87 mm (16.688")	402.59 mm (15.85")	3.63 kg (8.0 lbs)
284698	533.40 mm (21")	517.40 mm (20.370")	499.52 mm (19.666")	474.47 mm (18.68")	4.53 kg (10.0 lbs)
284708	609.60 mm (24")	582.12 mm (22.918")	561.39 mm (22.102")	533.40 mm (21.00")	4.99 kg (11.0 lbs)
284718	685.80 mm (27")	656.06 mm (25.829")	632.43 mm (24.899")	600.71 mm (23.65")	5.44 kg (12.0 lbs)
284728	762.00 mm (30" CIOD)	750.97 mm (29.566")	724.48 mm (28.523")	688.34 mm (27.10")	5.90 kg (13.0 lbs)
284738	914.40 mm (36" CIOD)	898.88 mm (35.389")	866.65 mm (34.120")	823.21 mm (32.41")	6.80 kg (15.0 lbs)
284748	1066.80 mm (42" CIOD)	1044.35 mm (41.116")	1006.37 mm (39.621")	956.06 mm (37.64")	7.71 kg (17.0 lbs)
284758	1219.20 mm (48" CIOD)	1192.20 mm (46.937")	1148.49 mm (45.216")	1091.18 mm (42.96")	8.62 kg (19.0 lbs)

ALUMINUM DEFLECTION GAUGE FIN SETS CONTINUED

7.5% DEFLECTION ALUMINUM FIN SETS

ALUMINUM FIN SETS FOR SDR-35 PIPE PER ASTM D3034 (4"-15" DIA.)

PART NUMBER	NOMINAL SIZE	AVERAGE PIPE I.D.	BASE PIPE I.D.*	PIPE I.D. @ DEFL.	PRODUCT WT.
285137	101.60 mm (4")	NA	NA	91.39 mm (3.598")	0.68 kg (1.5 lbs)
285153	152.40 mm (6")	149.68 mm (5.893")	145.85 mm (5.742")	134.90 mm (5.31")	0.9072 kg (2.0 lbs)
285161	203.20 mm (8")	200.43 mm (7.891")	194.69 mm (7.665")	180.10 mm (7.09")	1.13 kg (2.5 lbs)
285188	254.00 mm (10")	250.55 mm (9.864")	242.90 mm (9.563")	224.80 mm (8.85")	1.36 kg (3.0 lbs)
285196	304.80 mm (12")	298.12 mm (11.737")	288.54 mm (11.360")	267.00 mm (10.51")	1.81 kg (4.0 lbs)
285218	381.00 mm (15")	365.10 mm (14.374")	352.98 mm (13.897")	326.40 mm (12.85")	2.27 kg (5.0 lbs)

ALUMINUM FIN SETS FOR SDR-26 PIPE PER ASTM D3034 (4"-15" DIA.)

PART NUMBER	NOMINAL SIZE	AVERAGE PIPE I.D.	BASE PIPE I.D.*	PIPE I.D. @ DEFL.	PRODUCT WT.
Custom	101.60 mm (4")	Consult Factory	Consult Factory	Consult Factory	0.68 kg (1.5 lbs)
017378	152.40 mm (6")	146.41 mm (5.764")	142.54 mm (5.612")	131.80 mm (5.19")	0.9072 kg (2.0 lbs)
284658	203.20 mm (8")	195.96 mm (7.715")	190.20 mm (7.488")	176.00 mm (6.93")	1.13 kg (2.5 lbs)
284668	254.00 mm (10")	244.96 mm (9.644")	237.29 mm (9.342")	219.50 mm (8.64")	1.36 kg (3.0 lbs)
284678	304.80 mm (12")	291.59 mm (11.480")	281.99 mm (11.102")	260.90 mm (10.27")	1.81 kg (4.0 lbs)
285778	381.00 mm (15")	356.95 mm (14.053")	344.81 mm (13.575")	319.00 mm (12.56")	2.27 kg (5.0 lbs)

ALUMINUM FIN SETS FOR PS 46 (SDR-35) PIPE PER ASTM F679 (18"-48" DIA.)

PART NUMBER	NOMINAL SIZE	AVERAGE PIPE I.D.	BASE PIPE I.D.*	PIPE I.D. @ DEFL.	PRODUCT WT.
285560	457.20 mm (18")	448.13 mm (17.643")	433.17 mm (17.054")	400.56 mm (15.77")	3.63 kg (8.0 lbs)
285579	533.40 mm (21")	528.32 mm (20.800")	510.49 mm (20.098")	472.19 mm (18.59")	4.53 kg (10.0 lbs)
285587	609.60 mm (24")	594.41 mm (23.402")	573.68 mm (22.586")	530.61 mm (20.89")	4.99 kg (11.0 lbs)
285609	685.80 mm (27")	669.90 mm (26.374")	646.33 mm (25.446")	597.66 mm (23.53")	5.44 kg (12.0 lbs)
285708	762.00 mm (30" CIOD)	766.88 mm (30.192")	740.44 mm (29.151")	684.78 mm (26.96")	5.90 kg (13.0 lbs)
285718	914.40 mm (36" CIOD)	917.83 mm (36.135")	885.67 mm (34.869")	819.15 mm (32.25")	6.80 kg (15.0 lbs)
285728	1066.80 mm (42" CIOD)	1066.39 mm (41.984")	1028.47 mm (40.491")	951.23 mm (37.45")	7.71 kg (17.0 lbs)
285738	1219.20 mm (48" CIOD)	1217.35 mm (47.927")	1173.71 mm (46.209")	1085.60 mm (42.74")	8.62 kg (19.0 lbs)

ALUMINUM FIN SETS FOR PS 115 (SDR-26) PIPE PER ASTM F679 (18"-48" DIA.)

PART NUMBER	NOMINAL SIZE	AVERAGE PIPE I.D.	BASE PIPE I.D.*	PIPE I.D. @ DEFL.	PRODUCT WT.
284768	457.20 mm (18")	438.86 mm (17.278")	423.87 mm (16.688")	392.18 mm (15.44")	3.63 kg (8.0 lbs)
284778	533.40 mm (21")	517.40 mm (20.370")	499.52 mm (19.666")	462.03 mm (18.19")	4.53 kg (10.0 lbs)
284788	609.60 mm (24")	582.12 mm (22.918")	561.39 mm (22.102")	519.18 mm (20.44")	4.99 kg (11.0 lbs)
284798	685.80 mm (27")	656.06 mm (25.829")	632.43 mm (24.899")	584.96 mm (23.03")	5.44 kg (12.0 lbs)
284808	762.00 mm (30" CIOD)	750.97 mm (29.566")	724.48 mm (28.523")	670.05 mm (26.38")	5.90 kg (13.0 lbs)
284818	914.40 mm (36" CIOD)	898.88 mm (35.389")	866.65 mm (34.120")	801.62 mm (31.56")	6.80 kg (15.0 lbs)
284828	1066.80 mm (42" CIOD)	1044.35 mm (41.116")	1006.37 mm (39.621")	930.91 mm (36.65")	7.71 kg (17.0 lbs)
284838	1219.20 mm (48" CIOD)	1192.20 mm (46.937")	1148.49 mm (45.216")	1062.23 mm (41.82")	8.62 kg (19.0 lbs)

PS 46 closely relates to SDR 35 and PS 115 closely relates to SDR 26
 *Base inside diameter (Base Pipe I.D.) allows for out of roundness and wall thickness tolerances as defined by ASTM standards.
 For sizing and pricing contact Customer Service at chernesupport@oatey.com or 800-321-9532.

CORE MANDRELS & PROVING RINGS



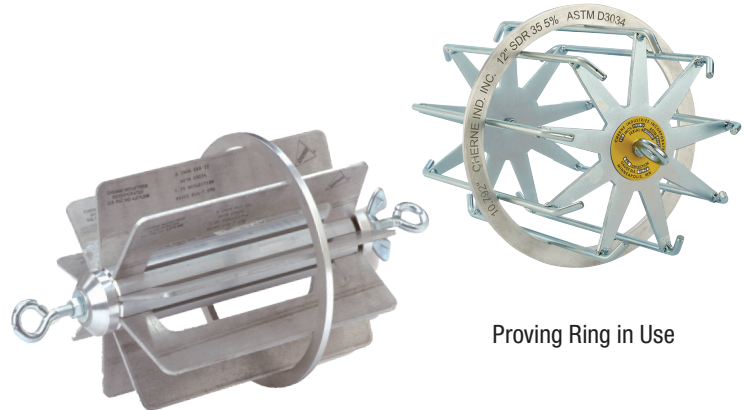
CORE MANDRELS FOR ALUMINUM FINNED DEFLECTION GAUGES



PART NUMBER	NOMINAL SIZE
285617	250 mm (10") Mandrel for 100 mm-375 mm (4"-15") aluminum fin sets
285250	600 mm (24") Mandrel for 450 mm-1200 mm (18"-48") aluminum fin sets
285488	1200 mm (48") Mandrel for 1200 mm-1500 mm (48"-60") aluminum fin sets
030268	Deflection gauge case. Holds 250 mm (10") mandrel, and three fin sets (150 mm-300 mm fin sets (6"-12"))

Proving Ring Features:

- Used to verify deflection gauge sizes
- Standard sizes: 150 mm-450 mm (6"-18") SDR 35 5% deflection and 200 mm-300 mm (8"-12") SDR 35 7.5% deflection



Proving Ring in Use

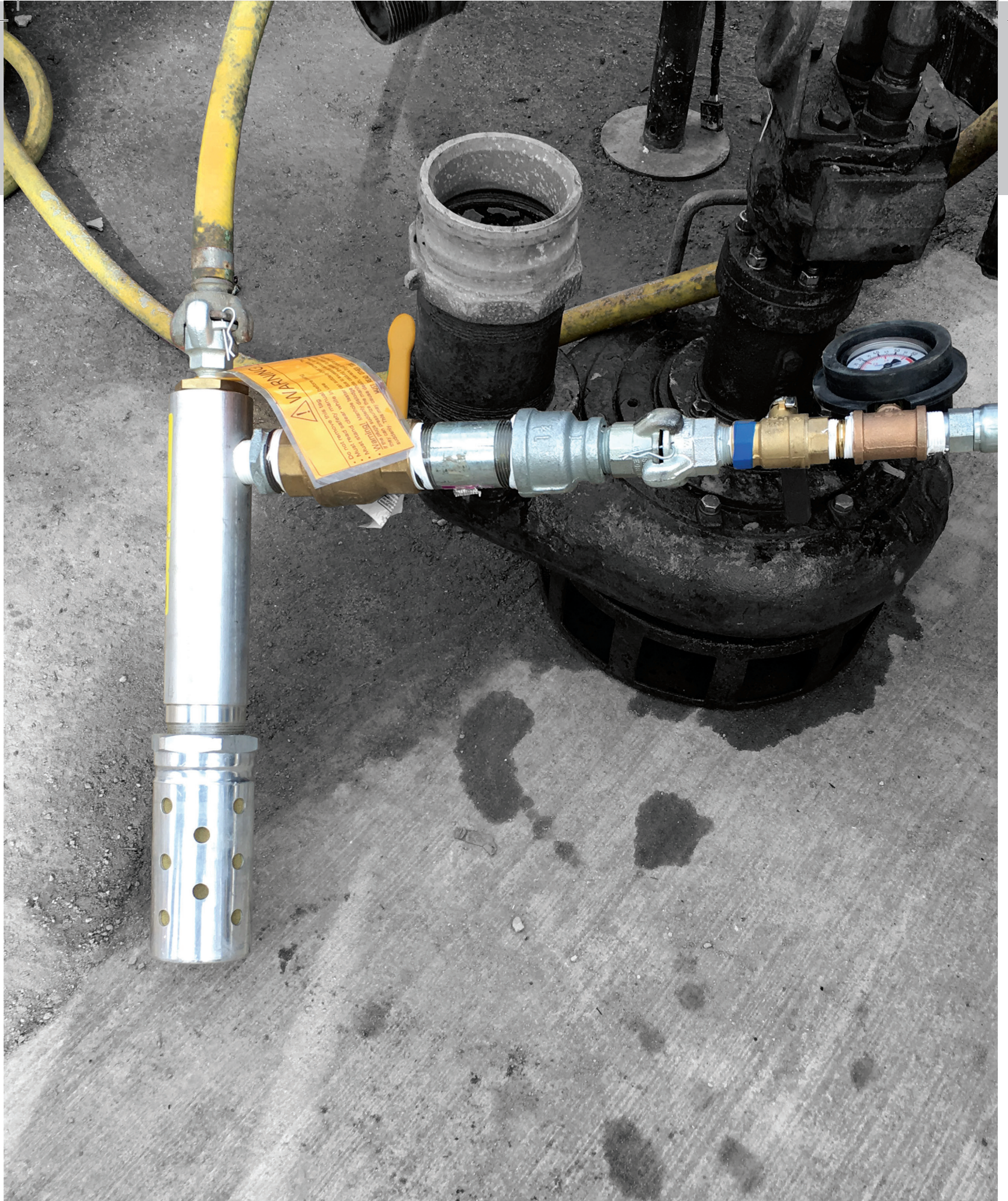
PROVING RINGS



For quick and easy size verification

PART NUMBER	NOMINAL SIZE	PIPE	DEFLECTION	PRODUCT WEIGHT
073199	150 mm (6")	SDR 35	5%	0.11 kg (4 oz)
073202	200 mm (8")	SDR 35	5%	0.11 kg (4 oz)
073253	200 mm (8")	SDR 35	7.5%	0.11 kg (4 oz)
073210	250 mm (10")	SDR 35	5%	0.17 kg (6 oz)
073261	250 mm (10")	SDR 35	7.5%	0.17 kg (6 oz)
073229	300 mm (12")	SDR 35	5%	0.17 kg (6 oz)
073288	300 mm (12")	SDR 35	7.5%	0.17 kg (6 oz)
073237	380 mm (15")	SDR 35	5%	0.20 kg (7 oz)
075868	460 mm (18")	SDR 35	5%	0.20 kg (7 oz)

For sizing and pricing contact Customer Service at chernesupport@oatey.com or 800-321-9532



TESTING EQUIPMENT



TESTING EQUIPMENT

- 42 AIR-LOC® TESTING PANEL
- 43 AIR-LOC® PRESSURE TESTING HOSES
- 43 MANHOLE JACK • ROLLER • WINCH • HOOKS
- 44 AIR-LOC® PRESSURE TESTING PROCEDURE
- 46 AIR-LOC® MANHOLE TESTERS
- 47 AIR-LOC® VACUUM EQUIPMENT
- 48 AIR-LOC® STRINGER • VENTILATORS
- 49 AIR-LOC® SMOKE TESTING
- 51 AIR-LOC® JOINT TESTERS
- 51 AQUA-LOC® HYDROSTATIC TEST PUMPS



AIR-LOC® PRESSURE TESTING PANEL

Hi-Flow™ Air-Loc® Control Panel

Panel includes gauges to monitor compressor pressure, plug pressure and test pressure, all in a sturdy case. Panel also has regulators to control plug and test pressure. Panel can be used with either 3/8" or 3/4" fill hose, accomplished by simply turning a valve. Panel is designed to work with air compressors fitted with either crow's foot or standard quick disconnect fittings.

AIR-LOC PRESSURE TESTING PANEL



PART NUMBER	DESCRIPTION
304718	Control Panel
314718	Digital Control Panel
026358	0-0.7 bar (0-10 psi) Test Pressure Gauge – Retarded increments from .75-2 bar (11-30 psi)
014828	0-4 bar (0-60 psi) Ball Pressure Gauge
014848	0-11 bar (0-160 psi) Compressor Gauge
043048 OA	3-Way Valve
296643	Regulator



AIR-LOC® PRESSURE TESTING HOSES



Triple Hose

The 3/8" diameter hose assembly is used to connect the Air-Loc® Panel to the front plug. Triple hose is color-coded, making connections easy to understand. Hose features locking quick disconnects for convenience and safety. Hose also includes strain relief to protect hose and connections from damage.

Hi-Flow™ Triple Hose available with 3/4 blue test pressure hose for quick exhausting

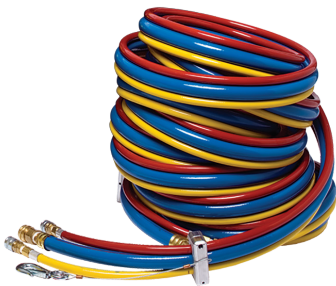
22' Interconnect Hose (#043338 – 4 lbs)

The interconnect hose is used to attach the front and back air test plugs when conducting a leak location test. This hose includes a cable for attaching to the pipe plugs to take strain off the hose during the leak location process.

253388 Air-Loc® Triple Hose Reel

The Triple hose reel includes a 400' triple hose, and mounting plate for the control panel. Control panel is sold separately.

AIR-LOC PRESSURE TESTING HOSES

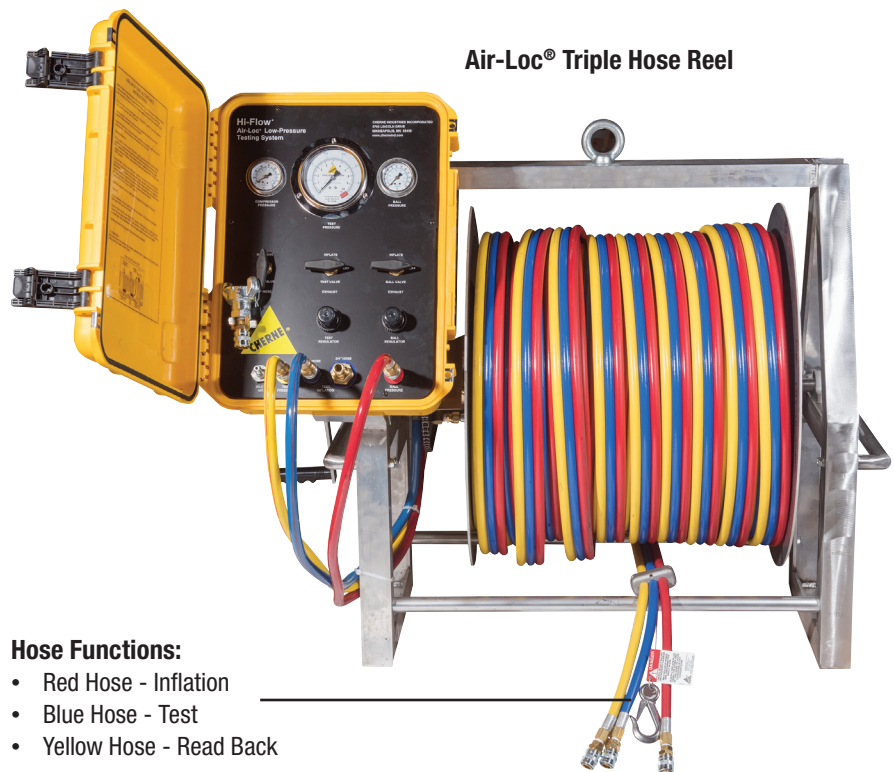


Triple Hose



22' Interconnect Hose

PART NUMBER	DESCRIPTION
035268	7.5 M (25') Triple Hose
257038	15 M (50') Triple Hose
257188	121 M (400') Triple Hose
257108	7.5 M (25') Hi-Flow Triple Hose
257098	15 M (50') Hi-Flow Triple Hose



Air-Loc® Triple Hose Reel

Hose Functions:

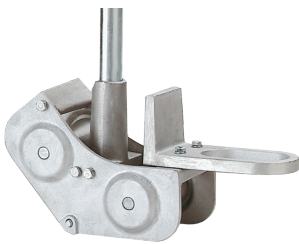
- Red Hose - Inflation
- Blue Hose - Test
- Yellow Hose - Read Back

MANHOLE JACK, ROLLER, WINCH & HOOKS



Manhole Jack (Hose Guide) Part #056228

- Guides air hoses and cables at pipe invert in manhole
- Zinc-plated for corrosion resistance
- Fits pipe 125 mm-600 mm (5"-24")
- Includes eye bolt for securing rope and ease of retrieval



Manhole Roller (Hose Guide) Part #056707

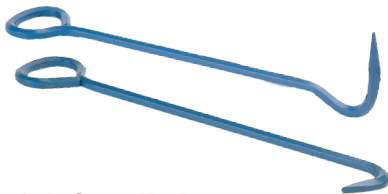
- Guides air hoses and cables at pipe invert in manhole
- Adjustable push-pin pole system
- Installs at surface - no need to enter manhole



Manhole Winch Part #253318

- Drags plugs in leak location testing
- Feeds Jet-Ball™ down line for sewer cleaning
- Normal pull-strength up to 249 kg (550 pounds)
- 3/32" diameter steel cable

MANHOLE COVER HOOKS



Manhole Cover Hooks

- Forged 5/8" hexagonal steel for extra strength
- Available with flat or 90° handles

PART NUMBER	DESCRIPTION
015443	600 mm (24") Manhole cover hook with 90° handle
015438	900 mm (36") Manhole cover hook with 90° handle
251429	600 mm (24") Manhole cover hook with flat handle
251438	900 mm (36") Manhole cover hook with flat handle

Air-Loc® Line Stringer

String lines between manholes quickly for segment testing with a Cherne Line Stringer.

See page 54

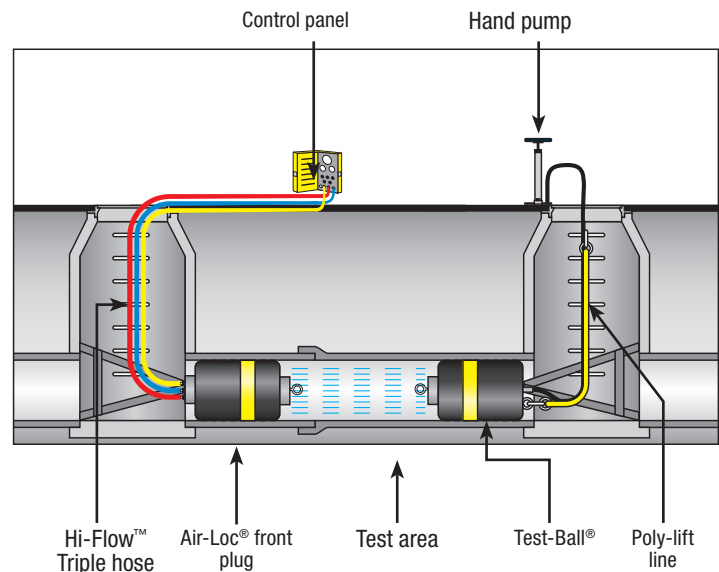


AIR-LOC® PRESSURE TESTING PROCEDURE



Air-Loc® Line Acceptance Test Procedure:

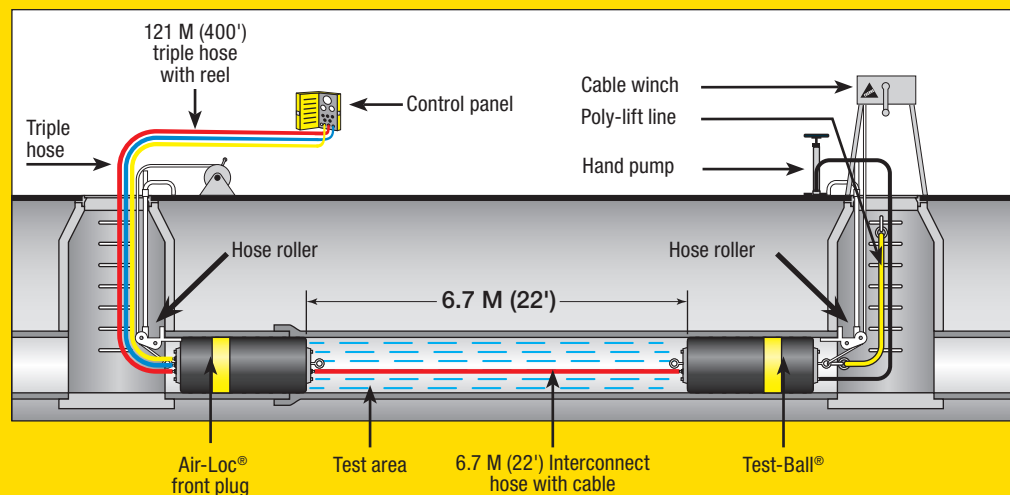
1. Install Back Plug. Attach poly lift line to pipe plug and place plug in line to be tested. Inflate plug to proper inflation pressure from above ground and out of the danger zone using an air compressor or hand pump to the rated inflation pressure.
2. Insert Front Plug. Connect triple hose assembly to front plug and insert plug into line. Connect other end of triple hose to Air-Loc® Control Panel.
3. Conduct Test. Connect air compressor to control panel. Then inflate front plug to proper inflation pressure. Introduce air through control panel until test pressure is achieved. Monitor pressure for the time designated for the test. If the pressure holds for the designated time losing one psi or less, the line passes and is "Accepted".



Leak Location Test Procedure:

A leak location test needs to be conducted if the line acceptance test fails. The leak location test procedure is as follows:

1. String pipe using Cherne's Air-Loc® Line Stringer or other method, attaching winch cable which is then pulled back through line.
2. Attach two pipe plugs connected together with interconnect hose to winch cable and place in pipeline.
3. Connect 121 M (400') triple hose to front plug.
4. Conduct pressure test on first 6.7 M (22') segment of sewer line and record results.
5. Advance plugs forward 6.7 M (22') using the winch and conduct test, once again recording results. Repeat procedure until entire line has been tested, and the leak has been located.



**STAY OUT OF THE DANGER ZONE DURING THE TEST!!
ALWAYS BLOCK PLUGS WHEN CONDUCTING AIR TESTS.**

AIR-LOC® MANHOLE TESTERS

Air-Loc® Manhole Testers provide the most efficient, accurate and cost-effective method of testing new, existing and rehabilitated manholes, per ASTM C 1244.

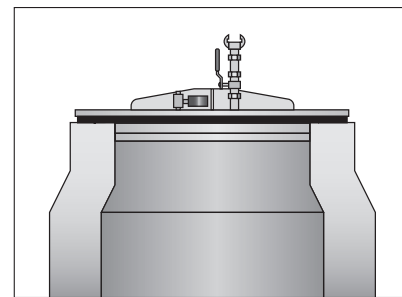
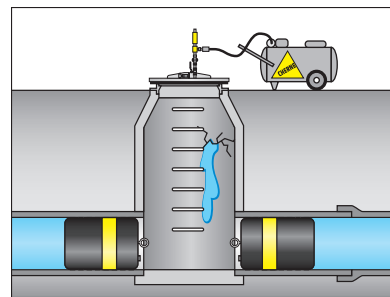
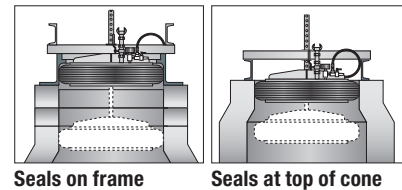
Vacuum testing identifies infiltration and exfiltration problems by creating a vacuum in a manhole and then monitoring a gauge for vacuum loss. Less expensive and faster than water testing, the Air-Loc® manhole tester's remote-inflation and monitoring system keeps users away from the "danger zone."

Bladder-Style Air-Loc® Head Assembly Features:

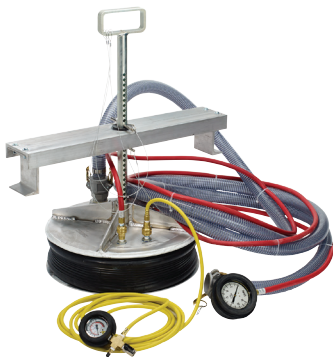
- Seals the inside diameter of the manhole at frame or cone
- Supported by a durable aluminum brace
- Push-pin rod design for easy depth adjustment
- Includes 6 M (20') hose with gauge

Plate-Style Air-Loc® Head Assembly Features:

- Designed to seal manhole cone surface
- Seals a wide range of manhole diameters
- Neoprene gasket for leak-free seal
- Includes 6 M (20') hose with gauge



BLADDER STYLE MANHOLE TESTERS



PART NUMBER	DESCRIPTION
210248	600 mm (24") Tester. Seals 500 mm-600 mm (20"-24.3") openings
210268	650 mm (26") Tester. Seals 537.5 mm-650 mm (21.5"-26.3") openings
210298	725 mm (29") Tester. Seals 600 mm-725 mm (24"-29.3") openings
210308	750 mm (30") Tester. Seals 625 mm-750 mm (25"-30.3") openings
210328	800 mm (32") Tester. Seals 687.5 mm-800 mm (27.5"-32.8") openings
210348	850 mm (34") Tester. Seals 750 mm-850 mm (30"-34.3") openings
210368	900 mm (36") Tester. Seals 787.5 mm-900 mm (31.5"-36") openings
098485	600 mm (24") Bladder, Replacement
008404	650 mm (26") Bladder, Replacement
060678	725 mm (29") Bladder, Replacement
099406	750 mm (30") Bladder, Replacement
063339	800 mm (32") Bladder, Replacement
063541	900 mm (36") Bladder, Replacement
055348	6 M (20') Replacement Hose and Gauge Assembly
304058	0-30" Hg Vacuum Test Gauge, 3.5" Dial
251372	0-60 psi Bladder Pressure Gauge, 2" Dial

PLATE STYLE MANHOLE TESTERS



PART NUMBER	DESCRIPTION
220328	800 mm (32") Tester. Seals 450 mm-750 mm (18"-30") openings
220388	950 mm (38") Tester. Seals 450 mm-900 mm (18"-36") openings
220448	1100 mm (44") Tester. Seals 450 mm-1050 mm (18"-42") openings
033018	800 mm (32") Replacement Pad
033028	950 mm (38") Replacement pad
023748	1100 mm (44") Replacement pad
055348	Replacement Hose and Gauge Assembly, 6 M (20 feet)
304058	0-30" Hg Vacuum Test Gauge, 3.5" Dial

AIR-LOC® VACUUM EQUIPMENT



Air-Loc® Vacuum Pump Features:

- Choose a Honda or Briggs & Stratton engine—each with low-oil shut-off to prevent engine failure
- Heavy-duty frame with optional wheel kit
- Unbreakable aluminum filter jars
- Oil-free graphite vane pump for no-fuss lubrication
- Draws 250 mm (10") Hg vacuum in about two minutes for a 15' deep manhole (18 CFM at 5 M (10") Hg)

Air-Loc® Vacuum Generator Features:

- Converts standard air compressor into a vacuum source for testing manholes – draws a vacuum in minutes
- Vacuum Generator 460 delivers 14 CFM at 250 mm (10") Hg
 - Air compressor: minimum 7 CFM at 6.7 bar (100 psi)
- Vacuum Generator 600 delivers 42 CFM at 250 mm (10") Hg, meeting or exceeding the competition
 - Air compressor: minimum 85 CFM at 6.7 bar (100 psi)

- Vacuum generators may also be used as a rapid deflator for large diameter plugs; significantly reduces the time to deflate large diameter plugs.

VACUUM PUMP



PART NUMBER	DESCRIPTION
278088	Vacuum Pump: Honda Engine
278168	Vacuum Pump: Briggs engine
045918	Optional Wheel Kit
019501	Replacement Pump
015823	Replacement Line Filter
019321	Replacement Pump Vanes (four required)
107379	Replacement Metal Jar, Line Filter
278098	Replacement Vacuum Pump Filter Assembly, Exhaust
278108	Replacement Vacuum Pump Filter Assembly, Intake

GENERATOR 460



Air-Loc® Vacuum Generator 460

PART NUMBER	DESCRIPTION
200468	Vacuum Generator 460
033868	Replacement Silencer for Vacuum Generator 460
035248	Replacement Filter for Generator 460
023518	Vacuum Generator 460 Conversion Kit, Hi-Flow Poly Lift Line

GENERATOR 600



Air-Loc® Hi-Flow Vacuum Generator 600

PART NUMBER	DESCRIPTION
200908	Vacuum Generator 600
054268	Replacement Silencer for Generator 600
023528	Vacuum Generator 600 Conversion Kit, Hi-Flow Poly Lift Line

AIR-LOC® STRINGER & VENTILATORS

Air-Loc® Fan Assembly Features:

- For use as a line stringer, ventilator
- Made of lightweight, cast aluminum
- Foam base minimizes vibration
- 750 mm (30") Diameter base plate

Equipped with:

- Honda or Briggs & Stratton engine
- Top-mounted handles for easy maneuverability

Line Stringer Usage Details:

- Will string a 100 M (300') section of sewer line in under a minute without plugging the line
- Line stringer vacuum pulls a lightweight nylon parachute through wet or dry lines

Ventilator Usage Details:

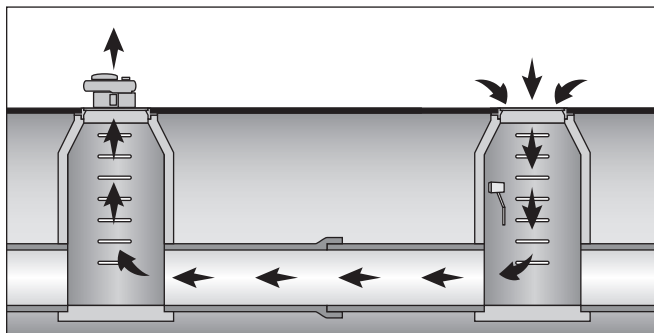
- Supports OSHA guidelines for confined space entry
- Provides up to 3,470 CFM as a suction ventilator¹
- Out-performs similar competitive models by 40% at 75 mm (3") of static pressure

STRINGER • VENTILATOR

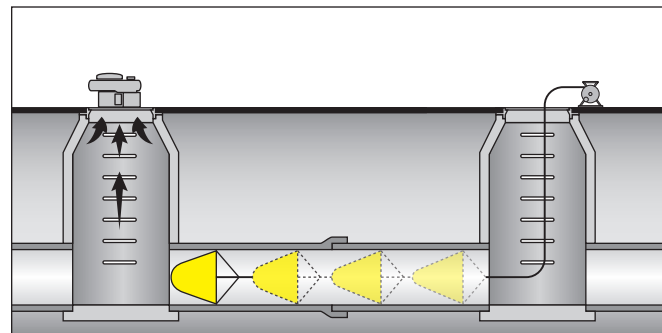


PART NUMBER	DESCRIPTION
303318	Line Stringer Kit: Honda engine 333 M (1000') nylon rope and reel, 150 mm-250 mm (6-10") parachute
301000	Line Stringer Kit: Briggs & Stratton engine 333 M (1000') nylon rope and reel, 150 mm-250 mm (6-10") parachute
013108	Fan Assembly: Honda engine
012100	Fan Assembly: Briggs & Stratton engine
014714	Replacement fan: Line Stringer/Ventilator (right pitch)
300608	333 M (1000') Nylon Rope and Reel
066303	100 mm (4") Parachute
015403	150 mm (6"-10") Parachute
050628	200 mm-300 mm (8"-12") Parachute
300594	250 mm-450 mm (10"-18") Parachute
006525	450 mm-900 mm (18"-36") Parachute

Suction Ventilator



Line Stringer



¹ - CFM performance based on independent laboratory tests. When tested side-by-side at an independent air flow laboratory, Cherne's line stringer, ventilator, and smoke blower beat the competition at every flow condition.

AIR-LOC[®] SMOKE TESTING



Smoke Blower Features:

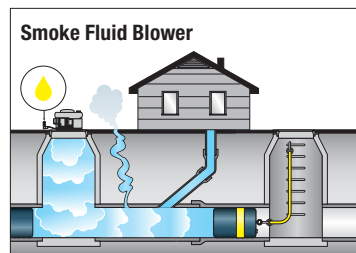
- Effectively identifies inflow
- For use with traditional smoke candles or liquid smoke
- Available with Briggs & Stratton engine
- Generates up to 3,769 cubic feet per minute of air flow¹
- Made of lightweight, cast aluminum

Equipped with:

- 1/2" foam cell gasket to ensure a leak-free seal on manholes and minimize vibration
- Smoke candle box holder (traditional smoke blower only)
- Pressurized tank, hose and all necessary components (liquid smoke blower only)

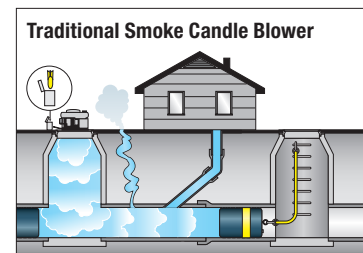
Smoke Fluid Features:

- Produces thick, dense smoke
- Easy-to-regulate
- Virtually indefinite storage life
- Improved packaging for ease in pouring



Smoke Candle Features:

- Produces a thick, dense smoke
- Time-proven
- Simple to use
- Can be used with most smoke blowers
- 3 minute candles available with double wick that allows units to be strung together for a longer smoke time



SMOKE CANDLE



PART NUMBER	DESCRIPTION
303550	Smoke Candle Smoke Blower Kit: Briggs & Stratton engine
072608	Smoke Candle: 30 seconds
072618	Smoke Candle: 60 seconds
072628	Smoke Candle: 3 minutes
072638	Smoke Candle: 3 minutes, double wick

SMOKE FLUID



PART NUMBER	DESCRIPTION
303078	Plumbing Smoke Blower
303008	Smoke Fluid Smoke Blower Kit: Briggs & Stratton engine
036488	Fluid Smoke pressure container and hose: 2 gallons capacity
065808	Fluid Smoke: one gallon
065818	Fluid Smoke: five gallons
065828	Fluid Smoke: fifty-five gallon drum

ACCESSORIES



PART NUMBER	DESCRIPTION
014722	Smoke Blower replacement fan (left pitch)
058368	Smoke candle holding cage
036498	Fluid Smoke conversion kit from Smoke Candle Briggs & Stratton engine
036308	Fluid Smoke conversion kit from Smoke Candle Briggs & Stratton engine - Pre 2017

¹ - CFM performance based on independent laboratory tests. When tested side-by-side at an independent air flow laboratory, Cherne's line stringer, ventilator, and smoke blower beat the competition at every flow condition.

AIR-LOC® JOINT TESTERS

Fast, safe and easy to use, a five-second test determines joint integrity. Cherne's Air-Loc® Joint Tester is designed to test large diameter, installed, pre-cast concrete pipe as described in ASTM C1103.

Ready to test with water or air straight from Cherne's factory – no modifications are needed – the Air-Loc® Joint Tester also allows you to pre-test before backfilling. Capable of testing to 0.67 bar (10 psi) air or 3.45 bar (50 psi) water.

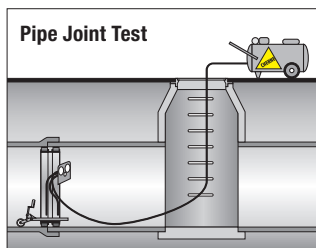
Features:

- Lightweight aluminum design allows for easy assembly in manholes
- Available with or without control panel and wheel kit
- Independent, adjustable wheels – easy to move
- Replacement end elements are available

JOINT TESTERS



Custom Sizes Available



PART NUMBER	DESCRIPTION			
FULL JOINT TESTER	NOMINAL SIZE	PRODUCT DIAMETER	LESS WHEELS & CONTROL PANEL	REPLACEMENT END ELEMENT
009028	600 mm (24")	550 mm (22")	012028	091456
009038	675 mm (27")	625 mm (25")	012038	091464
009048	750 mm (30")	700 mm (28")	012048	063339
009058	825 mm (33")	775 mm (31")	012058	063347
009068	900 mm (36")	850 mm (34")	012066	063355
009078	975 mm (39")	925 mm (37")	012078	070319
009088	1050 mm (42")	1000 mm (40")	012088	063363
009098	1200 mm (48")	1150 mm (46")	012098	063371
009108	1350 mm (54")	1300 mm (52")	012148	063398
009118	1500 mm (60")	1450 mm (58")	012118	063401
009128	1650 mm (66")	1600 mm (64")	012128	063428
009138	1800 mm (72")	1750 mm (70")	012138	063436
009158	1950 mm (78")	1900 mm (76")	012158	063444
009168	2100 mm (84")	2050 mm (82")	012168	063452
009178	2250 mm (90")	2200 mm (88")	012178	063460
009188	2400 mm (96")	2350 mm (94")	012188	063479
009198	2550 mm (102")	2500 mm (100")	012198	063487

ACCESSORIES/REPLACEMENT PARTS



PART NUMBER	DESCRIPTION
010048	Control Panel
026358	0-.67 bar (0-10 psi) 100 mm (4") Retard Gauge for Air Test
087602	0-4 bar (0-60 psi) 100 mm (4") Gauge for Water Test
014838	0-6.7 bar (0-100 psi) 50 mm (2") Gauge For End Elements
007892	Three way valve
296643	Regulator
086363	525 mm-900 mm (21"-36") Wheel Assembly

PART NUMBER	DESCRIPTION
067008	975 mm-1350 mm (39"-54") Wheel Assembly
093661 0A	1500 mm-2250 mm (60"-90") Wheel Assembly
024358	2400 mm (96") and up Wheel Assembly
010628	675 mm-1350 mm (27"-54") Frame Gasket
010638	1500 mm-3000 mm (60"-120") Frame Gasket
013008	4 M (12') Panel to Joint Tester Hose

AQUA-LOC® HYDROSTATIC TEST PUMPS



Hydrostatic Test Pumps are designed for pressure testing water lines and sewer force mains as prescribed by AWWA Standard C600 Installation of Ductile-Iron Water Mains and C605 Installation of PVC Pressure Pipe.

Aqua-Loc® Hydrostatic Test Pumps are designed to be the most user friendly in the industry. Diaphragm pumps are available and come powered by either a Honda or Briggs & Stratton engine.

Aqua-Loc® Hydrostatic Test Pump Diaphragm Style

Features:

- Honda or Briggs Engine with low oil shut off
- Hypro® Twin diaphragm pump – 37 bar (9.5 gpm/550 psi)
- Handles up to 10% chlorine solutions
- May be run dry
- Test pressures can be set from 6.7–37 bar (100–550 psi)
- Integral manifolds – eliminates leak points
- Enclosed gear reduction – excellent
- Pulsation dampener – no need to surge tank

Equipped with:

- Heavy-duty frame
- Hydraulic quick-disconnect – brass, swivel fitting
- Inline strainer – easy to clean clear bowl
- Clear hose – flow verification
- Silicone filled test gauge with stainless steel case

Optional Water Tank:

- 16 gallon capacity polyethylene tank
- Allows pump to be pressure fed
- Hinged frame allows easy access to engine
- For use with 9.5 gallon diaphragm style pump

Optional Wheel Kit:

- For use with all models

AQUA-LOC HYDROSTATIC TEST PUMP - 9.5 GPM DIAPHRAGM STYLE

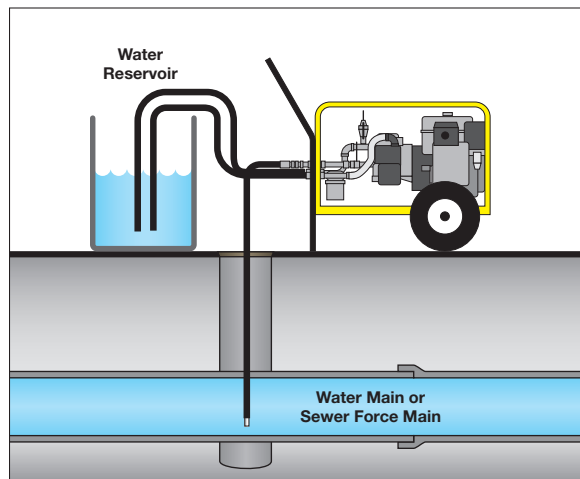


9.5 Gallon Diaphragm Pump
Shown with optional wheel kit

PART NUMBER	DESCRIPTION
278068	Diaphragm-style Test Pump: 37 bar (9.5 gpm/550 psi) Honda engine, 12' output & 10' intake hoses
278058	Diaphragm-style Test Pump: 37 bar (9.5 gpm/550 psi) Briggs & Stratton engine, 12' output & 10' intake hoses
039168	16 gallon optional water tank
045918	Optional Wheel Kit
031198	Replacement Output Hose without Quick Disconnects
022828	Quick Disconnect for Output Hose
064348	0-20 bar (0-300 psi) Retard Gauge with 0.3 bar (5 psi) Increments
030938	Replacement Bypass/Intake Hose
022768	Replacement Strainer



Shown with optional wheel kit and water tank



Suction Feed

Diaphragm Pump

AQUA-LOC® HYDROSTATIC TEST PUMPS CONTINUED

Aqua-Loc® Hydrostatic Test Pump High-Volume 35 GPM Diaphragm

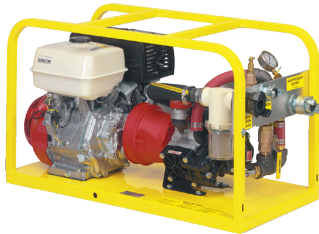
Features:

- Honda engine with Oil alert® shut off system
- Hypro® triple diaphragm pump – 20 bar (35 gpm/290 psi)
- Self priming, handles up to 10% chlorine solutions
- Enclosed gear reduction – excellent heat dissipation
- Heavy duty coupling with protective cover

Equipped with:

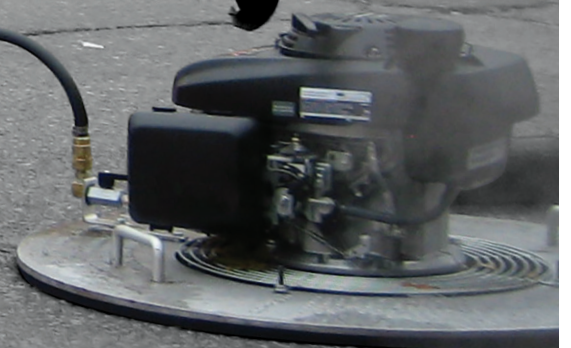
- Heavy-duty frame
- Pressure regulator – easy adjustment
- Silicone filled test gauge with stainless steel case
- Inline strainer – easy to clean clear bowl

AQUA-LOC HYDROSTATIC TEST PUMP - 35 GPM DIAPHRAGM STYLE



PART NUMBER	DESCRIPTION
278178	Diaphragm-style Test Pump: 20 bar (35 gpm/290 psi) Honda engine, 4 M (12') output & 3 M (10') intake hoses (not for sale in CA)
045918	Optional Wheel Kit
047008	Replacement 4 M (12') Output Hose
052878	Replacement Disconnect for Output Hose
064348	0-20 bar (0-300 psi) Retard Gauge with 5 psi increments
046998	Replacement 4 M (12') dual input hose
046758	Replacement Strainer Nylon Filter
063098	Replacement Gaskets for Output and Suction Fittings





NO TURN
ON RED

TOOLS & ACCESSORIES



TOOLS & ACCESSORIES

- 58 TEST PUMPS • MANOMETER • CLOG-BUSTER
- 59 POINT REPAIR CARRIER
- 60 JET-BALL™



TEST PUMPS, MANOMETER & CLOG-BUSTER



A) Air-Max® Pro HV Test Pump (Part #273908)

- Larger barrel diameter - fewer strokes per inflation
- 6.9 bar (100 psi) gauge with molded rubber cover



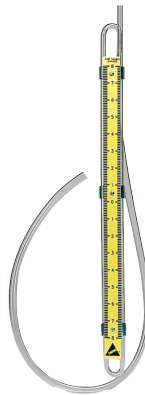
C) Econ-O-Pump™ Test Pump (Part #273888)

- 13.8 bar (200 psi) high-pressure gauge with protective cover



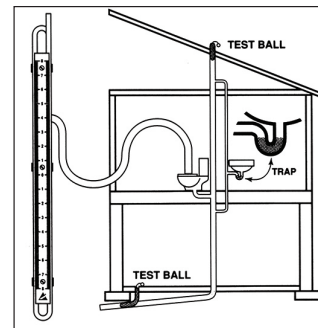
B) Air Max® Test Pump (Part #273898)

- 11 bar (160 psi) gauge raised from base for protection
- Textured steel base prevents pump from slipping
- Durable, no-kink hose



Manometer (Part #010205)

- Used for testing gas lines and DWV pipe
- Measures water columns from 0-400 mm (0" to 16")
- Reads in increments of 1/10"
- Product Weight: .23 kg (0.5 lb)



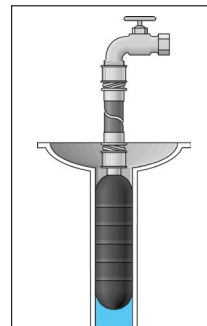
CLOG-BUSTER DRAIN FLUSHER



PART NUMBER	PRODUCT DESCRIPTION
303127	25 mm-50 mm (1"-2") Clog-Buster drain flusher
303135	37.5 mm-75 mm (1.5"-3") Clog-Buster drain flusher
303143	100 mm-150 mm (4"-6") Clog-Buster drain flusher
006193	Faucet adapter

Clog-Buster Drain Flusher Features:

- Unclogs drain pipes in seconds
- Simply remove aerator from faucet and attach faucet adapter
- Attaches to standard garden hose fitting
- Insert clog buster as far as possible into drain and slowly turn on the cold water - clog should dislodge almost immediately
- Eliminates need for using chemicals



POINT REPAIR CARRIER

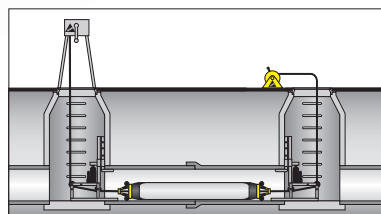


Cherne's point repair carriers are well-suited for most point repair systems. Available for multi-size line covers pipe sizes from 4"-36" diameters and lengths up to 15'. Cherne's carriers are known for both their durability and reliability. Custom lengths are available upon request.

Features:

- Maximum pipe contact guides and center line ensure proper placement of repair medium to minimize waste and increase productivity
- 1/4" NPT Inflation Port with male quick disconnect for ease of connection
- Durable, flexible natural corded rubber
- Bypass design allows sewage bypass during repair – no need to shut down the line
- The flexible design allows all units to be folded in half for transport
- Redesigned integrated caster wheel assembly and bypass channel have been optimized for ease of movement and enhanced bypass of effluent
- Reduced deflated diameters

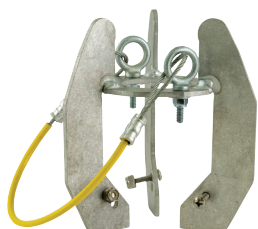
POINT REPAIR CARRIERS



Point Repair Carrier

PART NUMBER	FOR PIPE SIZE / DIAMETER	LENGTH	INFLATION PRESSURE	BYPASS DIAMETER	WEIGHT (LBS.)	DEFLATED DIAMETER			CONTACT LENGTH	
						PLUG DIAMETER	INSIDE WHEEL	OUTSIDE WHEEL	MAXIMUM	MINIMUM
279058	100-150 mm (4"-6")	1.5 m (5')	3 bar (45 psi)	NA	4.54 mm (10)	66.25 mm (2.65")	NA	NA	1325 mm (53")	1175 mm (47")
279108	100-150 mm (4"-6")	3 m (10')	3 bar (45 psi)	NA	6.12 mm (13.5)	66.25 mm (2.65")	NA	NA	2825 mm (113")	2675 mm (107")
279158	100-150 mm (4"-6")	4.5 m (15')	3 bar (45 psi)	NA	7.94 mm (17.5)	66.25 mm (2.65")	NA	NA	4325 mm (173")	4175 mm (167")
287058	200-300 mm (8"-12")	1.5 m (5')	1.67 bar (25 psi)	50 mm (2")	9.98 mm (22)	118.75 mm (4.75")	128.5 mm (5.14")	140 mm (5.6")	1200 mm (48")	1050 mm (42")
287108	200-300 mm (8"-12")	3 m (10')	1.67 bar (25 psi)	50 mm (2")	13.61 mm (30)	118.75 mm (4.75")	128.5 mm (5.14")	140 mm (5.6")	2700 mm (108")	2550 mm (102")
287158	200-300 mm (8"-12")	4.5 m (15')	1.67 bar (25 psi)	50 mm (2")	17.01 mm (37.5)	118.75 mm (4.75")	128.5 mm (5.14")	140 mm (5.6")	4200 mm (168")	4050 mm (162")
288058	300-400 mm (12"-16")	1.5 m (5')	1 bar (15 psi)	50 mm (2")	11.34 mm (25)	214 mm (8.56")	250 mm (10")	297.5 mm (11.9")	1250 mm (50")	1125 mm (45")
288108	300-400 mm (12"-16")	3 m (10')	1 bar (15 psi)	50 mm (2")	15.88 mm (35)	214 mm (8.56")	250 mm (10")	297.5 mm (11.9")	2750 mm (110")	2625 mm (105")
288158	300-400 mm (12"-16")	4.5 m (15')	1 bar (15 psi)	50 mm (2")	20.41 mm (45)	214 mm (8.56")	250 mm (10")	297.5 mm (11.9")	4250 mm (170")	4125 mm (165")
289058	450-600 mm (18"-24")	1.5 m (5')	1 bar (15 psi)	50 mm (2")	33.57 mm (74)	367 mm (14.68")	385.5 mm (15.42")	447.5 mm (17.9")	1225 mm (49")	1075 mm (43")
289108	450-600 mm (18"-24")	3 m (10')	1 bar (15 psi)	50 mm (2")	38.10 mm (84)	367 mm (14.68")	385.5 mm (15.42")	447.5 mm (17.9")	2725 mm (109")	2575 mm (103")
289158	450-600 mm (18"-24")	4.5 m (15')	1 bar (15 psi)	50 mm (2")	42.64 mm (94)	367 mm (14.68")	385.5 mm (15.42")	447.5 mm (17.9")	4225 mm (169")	4075 mm (163")
284058	600-914 mm (24"-36")	1.5 m (5')	1 bar (15 psi)	100 mm (4")	48.54 mm (107)	476.25 mm (19.05")	489 mm (19.56")	557.5 mm (22.3")	1200 mm (48")	825 mm (33")
284108	600-914 mm (24"-36")	3 m (10')	1 bar (15 psi)	100 mm (4")	63.73 mm (140.5)	476.25 mm (19.05")	489 mm (19.56")	557.5 mm (22.3")	2700 mm (108")	2325 mm (93")
284158	600-914 mm (24"-36")	4.5 m (15')	1 bar (15 psi)	100 mm (4")	82.56 mm (182)	476.25 mm (19.05")	489 mm (19.56")	557.5 mm (22.3")	4200 mm (168")	3825 mm (153")

POINT REPAIR CARRIER CAGES



PART NUMBER	DESCRIPTION
287008	200 mm-300 mm (8"-12") Carrier Cage (set of 2)
288008	300 mm-400 mm (12"-16") Carrier Cage (set of 2)
289008	450 mm-600 mm (18"-24") Carrier Cage (set of 2)
284008	600 mm-900 mm (24"-36") Carrier Cage (set of 2)

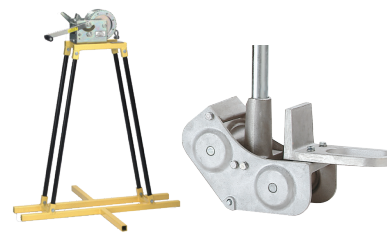
JET-BALL™

Jet-Ball Pipeline Cleaning Ball Features:

- Inexpensive method for cleaning new lines prior to line acceptance testing
- Also for cleaning grease out of existing lines—the better alternative to an expensive jet truck
- Made of natural rubber

Equipped with:

- Eye bolts at each end for tethering
- Spiral grooves turn Jet-Ball for superior pipe cleaning



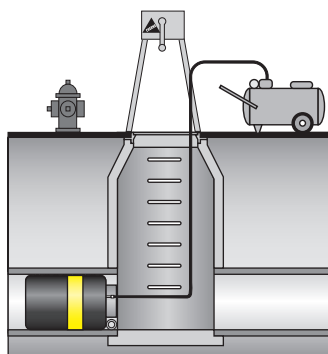
See Winches and Rollers on page 50

JET-BALL

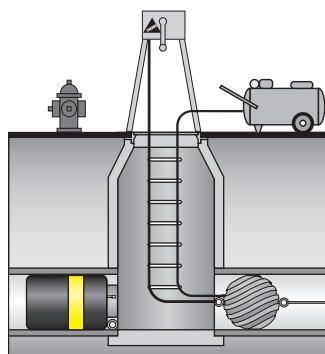


PART NUMBER	NOMINAL SIZE	USAGE RANGE		HEAD PRESSURE (FEET OF HEAD)	PRODUCT WEIGHT	DEFLATED LENGTH	DEFLATED DIAMETER	INFLATION VALVE THREAD SIZE	EYE BOLT
254207	150-250 mm (6"-10")	149 mm (5.87")	260 mm (10.25")	1.5 M (5)	1.1 kg (2.5 lbs)	203 mm (8")	142 mm (5.62")	1 (1/4")	2 (3/8")
254215	250-350 mm (10"-14")	222 mm (8.75")	362 mm (14.25")	1.5 M (5)	3.4 kg (7.5 lbs)	311 mm (12.25")	216 mm (8.5")	1 (1/4")	2 (3/8")
254223	375-450 mm (15"-18")	279 mm (11")	464 mm (18.25")	1.5 M (5)	5.9 kg (13 lbs)	375 mm (14.75")	273 mm (10.75")	1 (1/4")	2 (3/8")

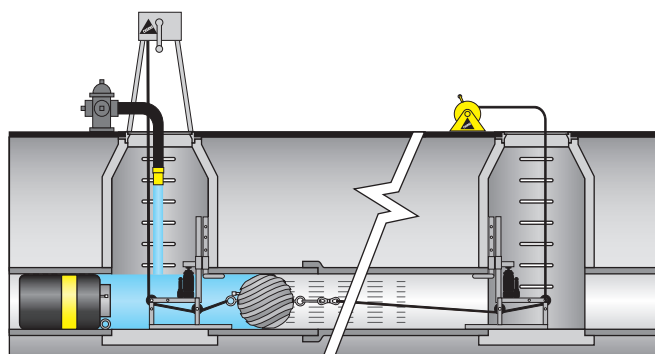
Jet-Ball™ Application



1) Install plug to isolate manhole



2) Attach Jet-Ball™ to tag line and inflate



3) Introduce water into manhole and slowly release Jet-Ball™ down the line.





TECHNICAL DATA



TECHNICAL DATA

64 CONVERSION CHARTS • TESTING METHODS



CONVERSION CHARTS & TESTING METHODS

Water Test:

The DWV plumbing system is plugged leaving the top vent open. Water is then introduced to the system, purging any trapped air that may occur. The test passes if no water column is lost or no pressure drop is noted on a gauge.

Air Test:

The DWV plumbing system is plugged at all openings including traps and vents, leaving one opening as a point to both introduce and monitor the test pressure. Air is introduced, pressurizing the system (normally 5 psi or less), making sure all are outside the danger zone. (See safety and usage instructions.) The test passes if the measurable loss of pressure is within the time and pressure allowances of the test specifications.

Manometer (or U-Tube):

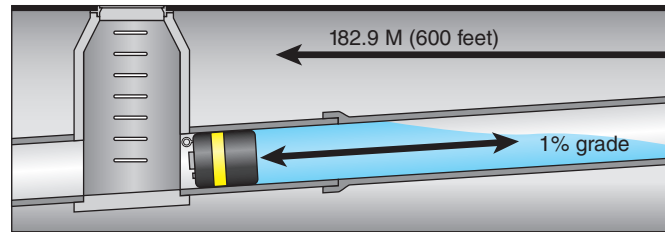
Also known as a final test, the manometer test verifies trap tightness in a new plumbing system. All traps are filled with water and all vents are then plugged. The manometer tube is first filled with water so that it “zeroes” out. Then the lower tube of the manometer is placed through a trap. A second hose is then put through the same trap and a small amount of pressure is applied. A decrease in water column measured on the manometer scale indicates that there is a leak in the system.

Scent Test:

The DWV system is plugged at all openings except one. Liquid scent is applied in that opening, which is then plugged. Leaks are detected via smell.

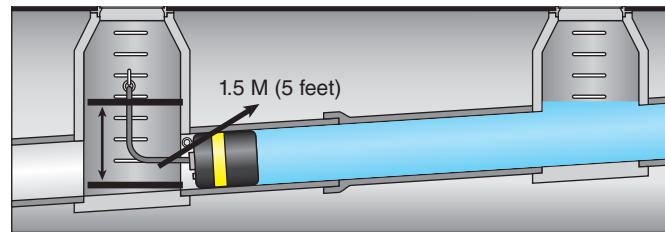
Calculating Head Pressure/Feet of Head

- 1) Measure the distance of the pipe and multiply it by the slope of the grade.
- 2) Measure the distance of the pipe above the plug. (Used when pipe is vertical)



In the example above, the answer is $600 \times .01 = 6$ feet of head.

- 3) Attach a hose to a Muni-Ball® bypass. Raise the hose until the flow stops. Measure the height of the water in the hose.



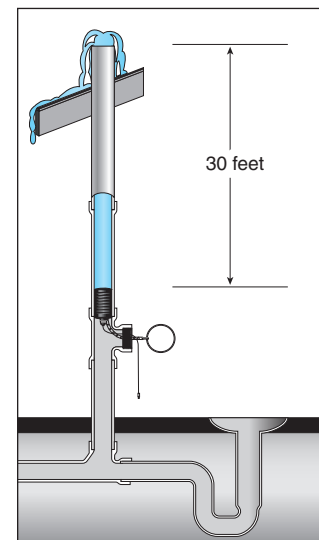
In the example above, the answer is 5 feet of head

MEASURES CONVERSION CHART

UNIT	=	CONVERSION FACTOR	X	UNIT
Pounds per square inch	=	14.5	x	Bars
Gallons	=	7.48052	x	Cubic feet
Meters	=	.3048	x	Feet
Inches of mercury	=	.8825	x	Feet of water
Pounds per square inch	=	.4335	x	Feet of water
Millimeters	=	25.4	x	Inches
Feet of water	=	1.133	x	Inches of mercury
Pounds per square inch	=	.4912	x	Inches of mercury
Pounds	=	2.2046	x	Kilograms
Feet	=	3.281	x	Meters
Inches	=	.03937	x	Millimeters
Feet of water	=	2.307	x	Pounds per square inch (psi)
Inches of mercury	=	2.036	x	Pounds per square inch (psi)

PRESSURE CONVERSION CHART

PSI	FEET OF HEAD	PSI	FEET OF HEAD
1	2.31	14	32.33
2	4.62	15	34.64
3	6.93	16	36.94
4	9.24	17	39.25
5	11.55	18	41.56
6	13.85	19	43.87
7	16.16	20	46.18
8	18.47	25	57.73
9	20.78	30	69.27
10	23.09	35	80.82
11	25.40	40	92.36
12	27.71	45	103.91
13	30.02	50	115.45



In the example above, the answer is: 30 feet of pipe above the plug = 30 feet of head

ALWAYS BLOCK PLUGS WHEN CONDUCTING AIR TESTS.



TEST WITH THE BEST

From Humble Beginnings to an Industry Standard

In 1953, Cherne® Industries created an innovative inflatable device for stack testing. Cherne's pneumatic product offering expanded to include testing, maintenance and repair equipment for residential, commercial, industrial and municipal systems.

Acquired by Oatey® Company in 1990, Cherne Industries maintained its focus on system testing, maintenance and repair. As a part of the Oatey Family of Brands, Cherne Industries

earned ISO certification in 1998, confirming both Oatey's and Cherne's commitment to consistency and quality.

Available in Oatey Company distribution centers throughout North America and through partner distribution on every continent, Cherne products are relied on by residential and commercial contractors and industrial and municipal engineers worldwide. Product lines are available in both domestic and international specifications.

While Cherne Industries has grown, its focus remains constant – providing customers the most reliable and innovative testing, maintenance and repair equipment in the plumbing, waterworks and underground industries – good enough to bear the Cherne name.

Oatey®



deliver quality. build trust. improve lives.

POWER OF ONE

#1 in the industry. Oatey® is the number one source for purchasing the leading brands in the plumbing industry.

One call does it all. Only Oatey brings you the plumbing industry's best brands in one source. Making it easy to purchase any product across all our brands on one invoice, in one shipment.

Oatey Europe B.V.
Zoerbeemden 1
6245 LR Eijsden, Nederland
Phone number: +31 43 7470000
Email: info@cherneind.eu
Website: info.cherneind.com